

# Operator's Manual

# CRAFTSMAN®

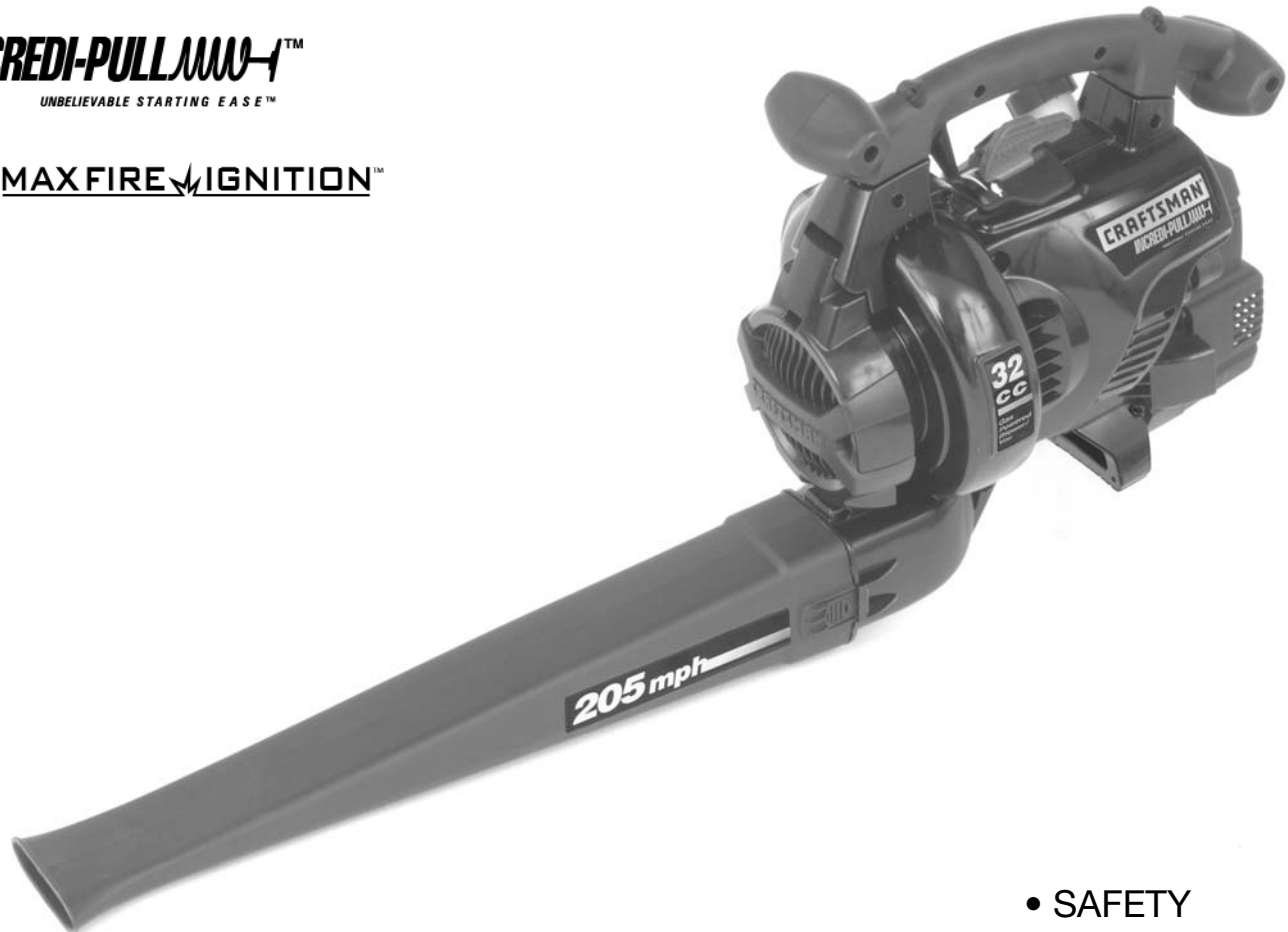
## 2-Cycle

## MULCHING BLOWER/VACUUM

Model No. 316.794970

**INCREDI-PULL™**  
UNBELIEVABLE STARTING EASE™

with **MAXFIRE** IGNITION™



**CAUTION:** Before using this product, read this manual and follow all safety rules and operating instructions.

- SAFETY
- ASSEMBLY
- OPERATION
- MAINTENANCE
- PARTS LIST

*Español, p. 25*

Sears, Roebuck and Co., Hoffman Estates, IL 60179, U.S.A.  
Visit our website: [www.sears.com/craftsman](http://www.sears.com/craftsman)

769-01695A

# TABLE OF CONTENTS

Warranty	Page 2	Troubleshooting	Page 19
Safety Rules	Pages 3 - 7	Specifications	Page 20
Assembly	Pages 8-10	Notes (Intentionally Blank)	Pages 21 - 23
Oil and Fuel Information	Page 11	CARB / EPA Warranty Information	Page 24
Starting/Stopping Instructions	Page 12	Parts List	Pages 45 - 46
Operation	Pages 13 - 14	Repair Protection Agreement	Page 27
Maintenance and Repair	Pages 15 - 18	Service Numbers	Page Back Cover

## WARRANTY STATEMENT

### TWO YEAR LIMITED WARRANTY ON CRAFTSMAN GAS BLOWER/VACUUM

For two years from the date of purchase, when this Blower is used and maintained according to the operator's manual, Sears will repair any defect in material or workmanship free of charge.

This warranty excludes the spark plug, air filter, and vacuum bag, which are expendable parts that can wear out from normal use in less than two years.

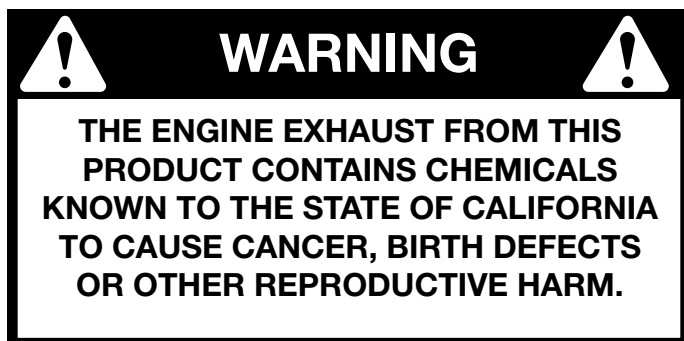
If this Blower is used for commercial or rental purposes, this warranty applies for only 30 days from the date of purchase.

### WARRANTY SERVICE IS AVAILABLE BY RETURNING THIS BLOWER TO THE NEAREST SEARS STORE OR SEARS PARTS & REPAIR CENTER IN THE UNITED STATES.

This warranty gives you specific legal rights, and you may also have other rights which vary from state to state.

Sears, Roebuck and Co., Dept. 817WA, Hoffman Estates, IL 60179

### CALIFORNIA PROPOSITION 65 WARNING



### SPARK ARRESTOR NOTE

**NOTE: For users on U.S. Forest Land and in the states of California, Maine, Oregon and Washington.** All U.S. Forest Land and the state of California (Public Resources Codes 4442 and 4443), Oregon and Washington require, by law that certain internal combustion engines operated on forest brush and/or grass-covered areas be equipped with a spark arrestor, maintained in effective working order, or the engine be constructed, equipped and maintained for the prevention of fire. Check with your state or local authorities for regulations pertaining to these requirements. Failure to follow these requirements could subject you to liability or a fine. **This unit is factory equipped with a spark arrestor.** If it requires replacement, ask a Sears or other qualified service dealer to install the **Accessory Part #753-04689 Spark Arrestor Kit.**

# RULES FOR SAFE OPERATION

The purpose of safety symbols is to attract your attention to possible dangers. The safety symbols, and their explanations, deserve your careful attention and understanding. The safety warnings do not by themselves eliminate any danger. The instructions or warnings they give are not substitutes for proper accident prevention measures.



**SAFETY ALERT:** Indicates danger, warning or caution. Attention is required in order to avoid serious personal injury. May be used in conjunction with other symbols or pictographs.

**NOTE:** Advises you of information or instructions vital to the operation or maintenance of the equipment.

**Read the Operator's Manual(s) and follow all warnings and safety instructions.**

**Failure to do so can result in serious injury to the operator and/or bystanders.**



**DANGER:** Failure to obey a safety warning will result in serious injury to yourself or to others. Always follow the safety precautions to reduce the risk of fire, electric shock and personal injury.



**WARNING:** Failure to obey a safety warning can result in injury to yourself and others. Always follow the safety precautions to reduce the risk of fire, electric shock and personal injury.



**CAUTION:** Failure to obey a safety warning may result in property damage or personal injury to yourself or to others. Always follow the safety precautions to reduce the risk of fire, electric shock and personal injury.

## • IMPORTANT SAFETY INSTRUCTIONS •

### READ ALL INSTRUCTIONS BEFORE OPERATING



**WARNING:** When using the unit, you must follow the safety rules. Please read these instructions before operating the unit in order to ensure the safety of the operator and any bystanders. Please keep these instructions for later use.

- Read the instructions carefully. Be familiar with the controls and proper use of the unit.
- Do not operate this unit when tired, ill, or under the influence of alcohol, drugs, or medication.
- Children must not operate the unit. Teens must be accompanied and guided by an adult.
- All guards and safety attachments must be installed properly before operating the unit.
- Inspect the unit before use. Replace damaged parts. Check for fuel leaks. Make sure all fasteners are in place and secure. Replace parts that are cracked, chipped, or damaged in any way. Do not operate the unit with loose or damaged parts.
- Carefully inspect the area before starting the unit. Remove all debris and hard or sharp objects such as glass, wire, etc.

- Clear the area of children, bystanders, and pets. At a minimum, keep all children, bystanders, and pets outside a 50 feet (15 m.) radius; there still may be a risk to bystanders from thrown objects. Bystanders should be encouraged to wear eye protection. If you are approached, stop the unit immediately.

### FUEL SAFETY WARNINGS



**WARNING:** Gasoline is highly flammable, and its vapors can explode if ignited. Take the following precautions:

- Store fuel only in containers specifically designed and approved for the storage of such materials.
- Avoid creating a source of ignition for spilled fuel. Do not start the engine until fuel vapors dissipate.
- Always stop the engine and allow it to cool before filling the fuel tank. Never remove the cap of the fuel tank, or add fuel, when the engine is hot. Never operate the unit without the fuel cap securely in place. Loosen the fuel tank cap slowly to relieve any pressure in the tank.
- Mix and add fuel in a clean, well-ventilated outdoor area where there are no sparks or flames. Slowly remove the fuel cap only after stopping engine. Do not smoke while fueling or mixing fuel. Wipe up any spilled fuel from the unit immediately. Always wipe unit dry before using.
- Move the unit at least 30 feet (9.1 m) from the fueling source and site before starting the engine. Do not smoke. Keep sparks and open flames away from the area while adding fuel or operating the unit.

# RULES FOR SAFE OPERATION

## WHILE OPERATING

- Never start or run the unit inside a closed room or building. Breathing exhaust fumes can kill. Operate this unit only in a well-ventilated outdoor area.
- Wear safety glasses or goggles that are marked as meeting ANSI Z87.1 standards and are marked as such. Wear ear/hearing protection when operating this unit.
- Never run the unit without the the proper equipment attached. When using this unit, always install the blower/vacuum tubes and vacuum bag depending on blower or vacuuming application.
- To reduce the risk of hearing loss associated with sound level(s), always wear ear/hearing protection when operating this unit.
- Wear heavy long pants, boots, gloves, and a long sleeve shirt. Do not wear loose clothing, jewelry, short pants, sandals or go barefoot. Secure hair above shoulder level.
- To avoid static electricity shock, do not wear rubber gloves or any other insulated gloves while operating this unit.
- Use the unit only in daylight or good artificial light.
- Keep outside surfaces free from oil and fuel.
- Avoid accidental starting. Be in the starting position whenever pulling the starter rope. The operator and unit must be in a stable position while starting. Refer to *Starting/Stopping Instructions*.
- Do not set unit on any surface except a clean, hard area while engine is running. Debris such as gravel, sand, dust, grass, etc. could be picked up by the air intake and thrown out by the discharge opening, damaging unit, property, or causing serious injury to bystanders or operator.
- Use the right tool. Only use this tool for its intended purpose.
- Do not force unit. It will do the job better and with less likelihood of injury at a rate for which it was designed.
- Do not overreach or use from unstable surfaces such as ladders, trees, steep slopes, rooftops, etc. Always keep proper footing and balance.
- Always hold the unit with a firm grip when operating.
- Keep hands, face, and feet away from all moving parts. Do not touch or try to stop the impeller when it is rotating. Do not operate without guards in place.
- Do not put any object into openings. Do not use with any opening blocked; keep free of dirt, debris, and anything that may reduce the air flow.
- Do not touch the engine or muffler. These parts get extremely hot from operation, even after the unit is turned off.
- Do not operate the engine faster than the speed needed to do the job. Do not run the engine at high speed when not in use.
- Always stop the engine when operation is delayed or when walking from one location to another.
- Stop the engine for maintenance, repair, to install or remove the blower tubes or vacuum attachments. The unit must be stopped and the impeller no longer turning to avoid contact with the rotating blades.
- If you strike or come into contact with a foreign object, stop the engine immediately and check for damage. Do not operate before repairing damage. Do not operate the unit with loose or damaged parts.
- Use only replacement parts or accessories recommended for this tool that are sold by Sears or a Craftsman outlet. Use of any replacement parts or accessories purchased elsewhere may be hazardous, and will also void your warranty.
- Never use this unit for spreading chemicals, fertilizers or other substances which may contain toxic materials.
- To reduce fire hazard, replace faulty muffler and spark arrestor. Keep the engine and muffler free from grass, leaves, excessive grease or carbon build up.
- Turn the engine off and disconnect the spark plug for maintenance or repair.

# RULES FOR SAFE OPERATION

## WHILE OPERATING UNIT AS A BLOWER

- Never point the blower or blowing debris in the direction of people, animals, or in the direction of windows. Always direct the blowing debris away from people, animals, and windows. Use extra caution when blowing debris near solid objects such as trees, automobiles, walls, etc.

## WHILE OPERATING UNIT AS A VACUUM

- Avoid situations that could catch the vacuum bag on fire. Do not operate near an open flame. Do not vacuum warm ash from fireplaces, barbecue pits, brush piles, etc. Do not vacuum discarded cigars or cigarettes unless the cinders are completely cool.
- The unit is designed to pickup dry material such as leaves, grass, small twigs, and bits of paper. Do not attempt to vacuum wet debris and/or standing water as this may result in damage to the blower/ vacuum. To avoid severe damage to the impeller, do not vacuum metal, broken glass, etc.

## OTHER SAFETY WARNINGS

- Always disconnect the spark plug before performing maintenance or accessing movable parts.
- Never store the unit, with fuel in the tank, inside a building where fumes may reach an open flame (pilot lights, etc.) or sparks (switches, electrical motors, etc.).
- Allow the engine to cool before storing or transporting. Be sure to secure the unit while transporting.

- Store the unit in a dry place, secured, or at a height to prevent unauthorized use or damage. Keep out of the reach of children.
- Never douse or squirt the unit with water or any other liquid. Keep handles dry, clean, and free from debris. Clean after each use, see *Cleaning and Storage* instructions.
- Keep these instructions. Refer to them often and use them to instruct other users. If you loan this unit to others, also loan these instructions to them.

**SPECIAL NOTE:** Exposure to vibrations through prolonged use of gasoline powered hand tools could cause blood vessel or nerve damage in the fingers, hands, and joints of people prone to circulation disorders or abnormal swelling. Prolonged use in cold weather has been linked to blood vessel damage in otherwise healthy people. If symptoms occur such as numbness, pain, loss of strength, change in skin color or texture, or loss of feeling in the fingers, hands or joints, discontinue use of this tool and seek medical attention. A reduced vibration system does not guarantee avoidance of these problems. Users who operate power tools on a regular basis must closely monitor their physical condition and the condition of this tool.

## SAVE THESE INSTRUCTIONS

# RULES FOR SAFE OPERATION

## SAFETY AND INTERNATIONAL SYMBOLS

This operator's manual describes safety and international symbols and pictographs that may appear on this product. Read the operator's manual for complete safety, assembly, operating and maintenance and repair information.

### SYMBOL



### MEANING

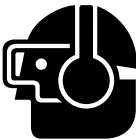
- **SAFETY ALERT SYMBOL**

Indicates danger, warning, or caution. May be used in conjunction with other symbols or pictographs.



- **READ OPERATOR'S MANUAL**

**WARNING:** Read the Operator's Manual(s) and follow all warnings and safety instructions. Failure to do so can result in serious injury to the operator and/or bystanders.



- **WEAR EYE AND HEARING PROTECTION**

**WARNING:** Thrown objects and loud noise can cause severe eye injury and hearing loss. Wear eye protection meeting ANSI Z87.1-1989 standards and ear protection when operating this unit. Use a full face shield when needed.



- **KEEP BYSTANDERS AWAY**

**WARNING:** Keep all bystanders, especially children and pets, at least 50 feet (15 m.) from the operating area.



- **UNLEADED FUEL**

Always use clean, fresh unleaded fuel.



- **OIL**

Refer to operator's manual for the proper type of oil.



- **THROWN OBJECTS CAN CAUSE SEVERE INJURY**

**WARNING:** Keep clear of blower outlet. Never point the blower at yourself or others. Objects can be thrown from blower. Do not operate unit without proper attachments and guards in place.

### SYMBOL



### MEANING

- **ON/OFF STOP CONTROL**

ON / START / RUN



- **ON/OFF STOP CONTROL**

OFF OR STOP



- **HOT SURFACE WARNING**

Do not touch a hot muffler or cylinder. You may get burned. These parts get extremely hot from operation, even after the unit is turned off.



- **BLOWERS - ROTATING IMPELLER CAN CAUSE SEVERE INJURY**

**WARNING:** Turn the engine off and allow the impeller to stop before opening the vacuum door, installing, changing tubes or bag, or before cleaning or performing any maintenance.



- **THROTTLE CONTROL**

Indicates "HIGH" or "FASTEST" speed.



- **THROTTLE CONTROL**

Indicates "IDLE," "LOW" or "SLOWEST" speed.

# RULES FOR SAFE OPERATION

## KNOW YOUR BLOWER/VAC

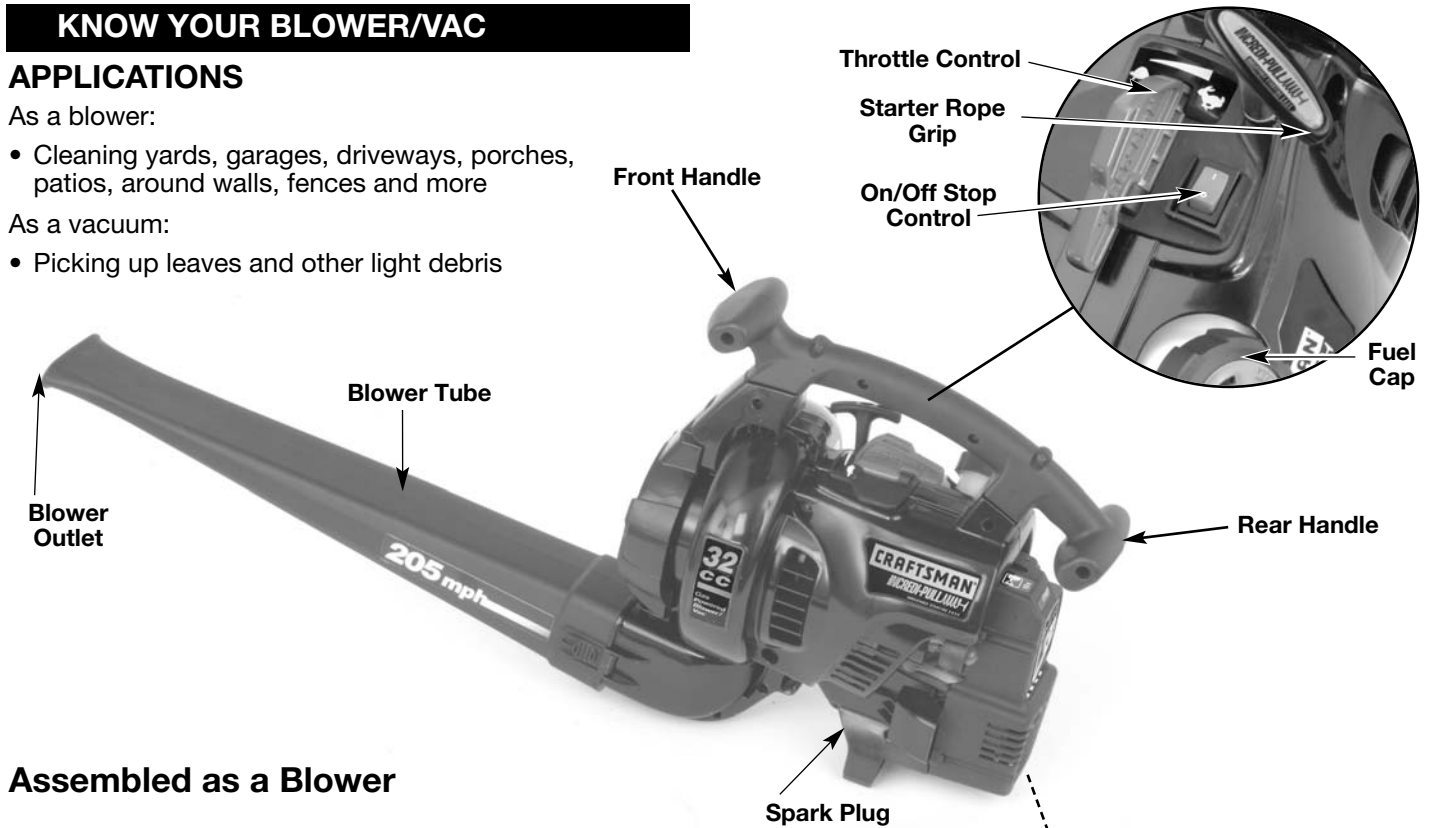
### APPLICATIONS

As a blower:

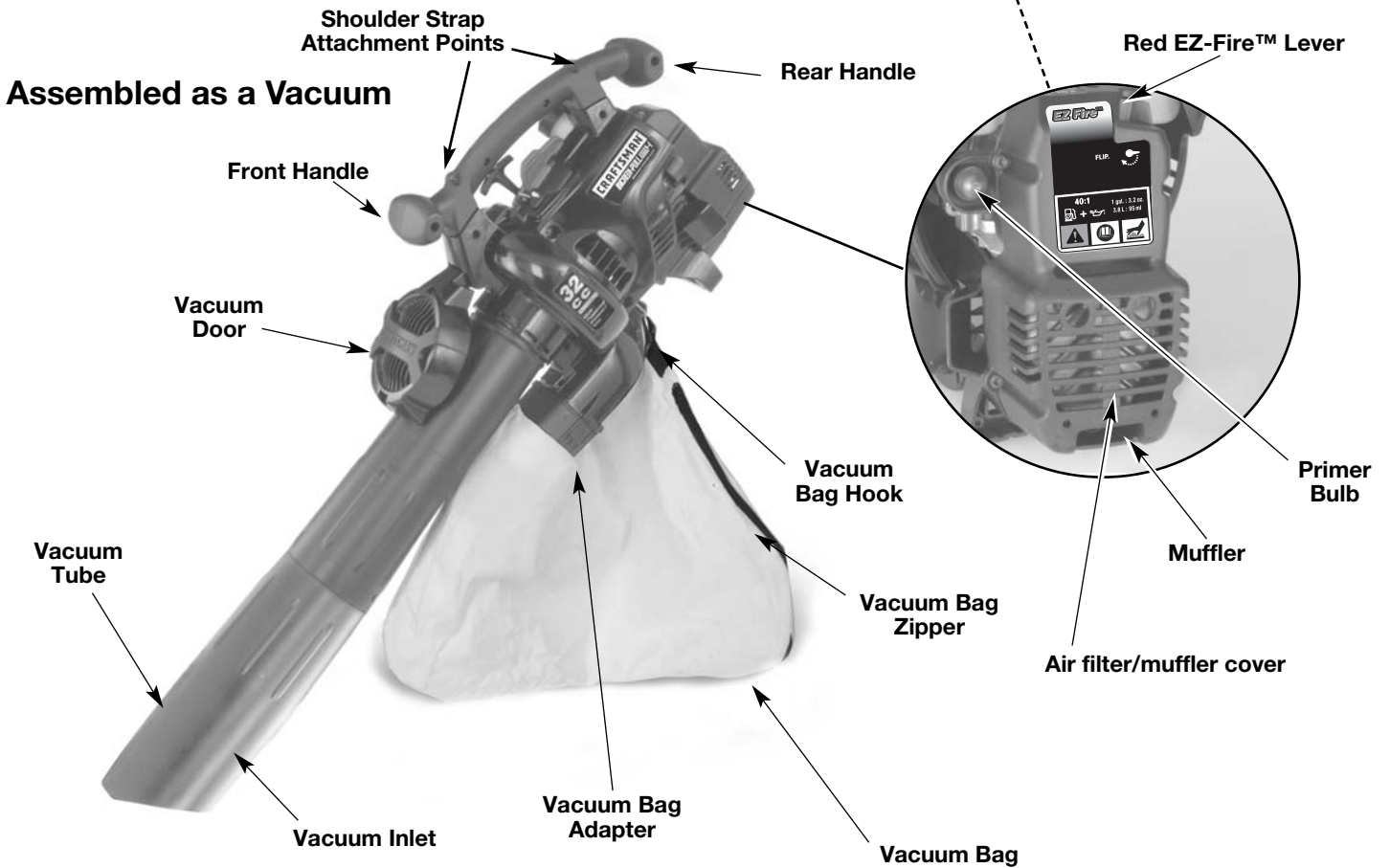
- Cleaning yards, garages, driveways, porches, patios, around walls, fences and more

As a vacuum:

- Picking up leaves and other light debris



Assembled as a Blower



Assembled as a Vacuum

# ASSEMBLY INSTRUCTIONS

## ASSEMBLING UNIT AS A BLOWER

### Blower Tube Assembly



**WARNING:** To prevent serious personal injury, stop the engine and allow the impeller to stop before attaching or removing tubes.



**WARNING:** To prevent serious personal injury or damage to the unit, the blower tube must be installed while operating this unit as a blower.

**NOTE:** If the unit was assembled as a vacuum unit, remove all vacuum parts and store away in a secure place for later use.

### Installing

- Install the blower tube over the blower outlet and push it on until both tabs snap into place (Fig. 1).

### Removing

- Remove the blower tube by pressing both tabs at the same time and pulling off the blower (Fig. 1).

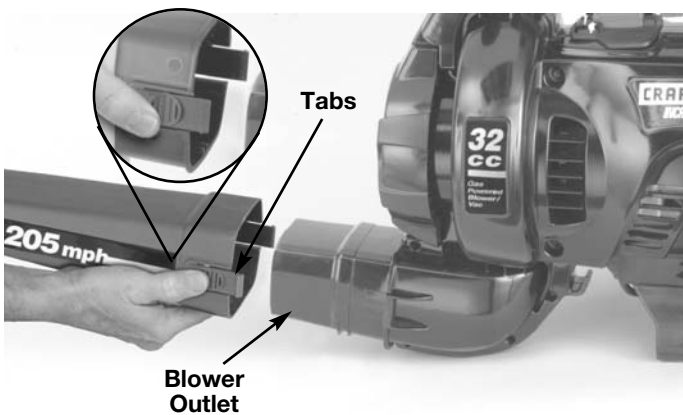


Fig. 1

## ASSEMBLING THE GUTTER CLEAN-OUT ADAPTER

In order to use the gutter clean-out attachment kit, you must install the gutter clean-out adapter (not included). Push the adapter onto the blower outlet until both tabs snap into place (Fig. 1). Refer to the Gutter Attachment Kit manual for more information

## ASSEMBLING UNIT AS A VACUUM

To assemble the unit as a vacuum, begin by removing the blower tube. Refer to the previous section.

### Vacuum Tube Assembly



**WARNING:** To prevent serious personal injury, stop the engine and allow the impeller to stop before attaching or removing tubes.



**WARNING:** To prevent serious personal injury or damage to the unit, always install vacuum tubes and the vacuum bag, and make sure the vacuum bag is completely zipped closed when operating this unit as a vacuum.

**NOTE:** If the unit was assembled as a blower unit, remove the blower tube and store away in a secure place for later use.

### Installation

1. Align the small arrow on the lower vacuum tube with the arrow on the upper vacuum tube (Fig. 2).
2. Grasp the lower and upper vacuum tubes firmly with both hands, and push the lower vacuum tube into the upper vacuum tube. Turn the lower vacuum tube clockwise until it snaps into place and locks. When properly assembled, the dot on the lower tube aligns with the dot on the upper tube.

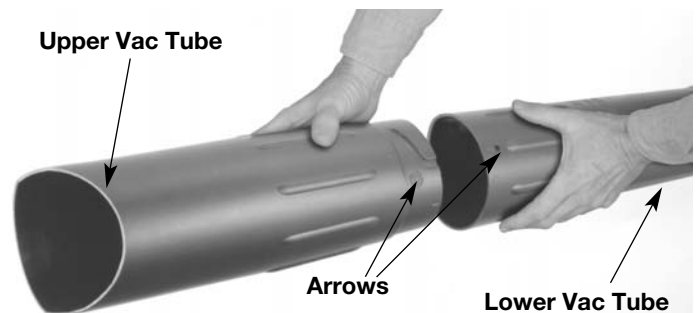


Fig.2

3. Flip the blower/vac so it is standing straight up on the muffler cover. The front of the unit and the vacuum door should face you (Fig. 3).



# ASSEMBLY INSTRUCTIONS

4. Insert a flat head screwdriver under locking clip, lift upward and open vacuum door (Fig. 4).

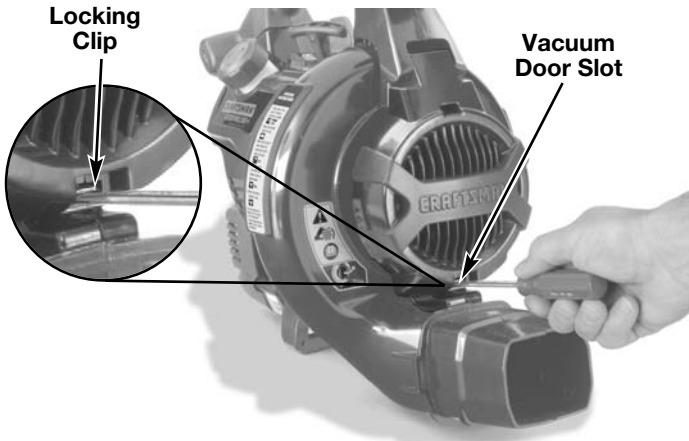


Fig. 3

5. While holding the vacuum door open, insert the assembled vacuum tube (put together in Step 2). Arrange the tube so the flat area faces the vacuum door. The grooves on the side of the tube will line up with the small tabs in the impeller intake (Fig. 4). From the exterior, align the small arrow on the vacuum tube with the arrow on the impeller intake.
6. Push the vacuum tube in firmly and grip it with both hands. Turn the tube clockwise as far as possible until it snaps into place and locks. When properly assembled, the dot on the vacuum tube will align with the dot on the impeller intake.

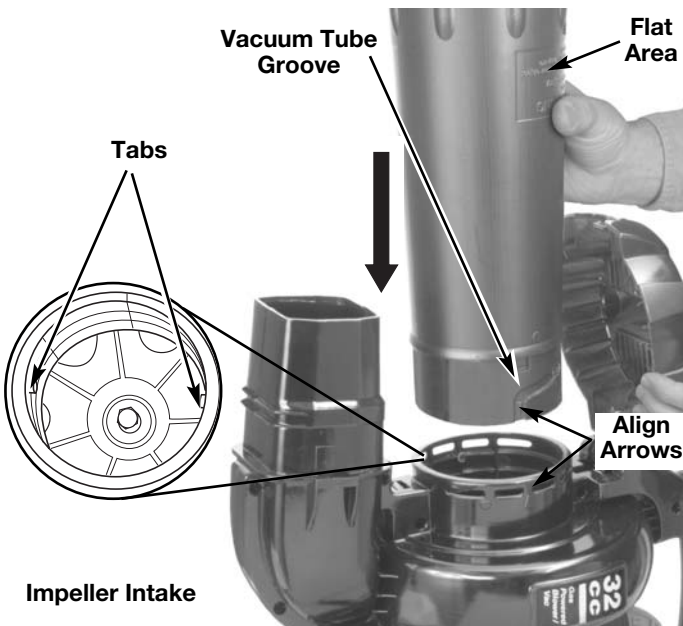


Fig. 4

## Installing the Vacuum Bag

7. Install the vacuum bag adapter over the blower outlet and push on it until both tabs snap into place (Fig. 5). Position the bag so it hangs below the unit.
8. Attach the vacuum bag to the vacuum bag hook located at the underside of the unit.
9. Keep the bag zipped and shut.

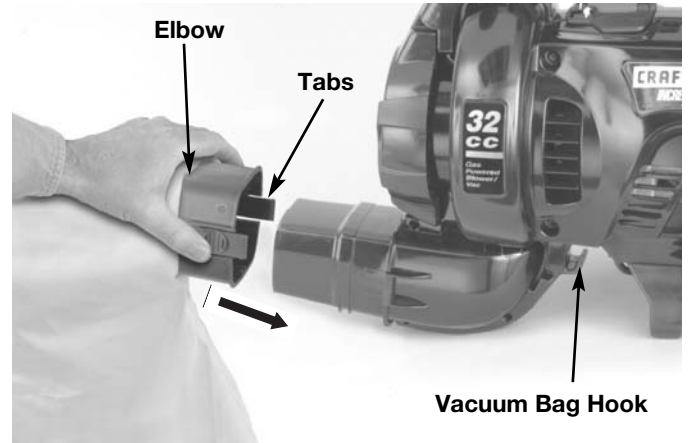


Fig. 5

## Removing the Vacuum Bag

1. Unhook the bag.
2. Remove the vacuum bag by pressing both tabs on the vacuum bag elbow at the same time and pulling the bag off the blower (Fig. 5).
3. Install the blower tube in order to assemble the unit as a blower.
4. Make sure the vacuum door is securely latched shut.



**WARNING:** Never operate the unit in the blower configuration without the vacuum door secured and latched shut.

## Emptying the Vacuum Bag

1. Refer to Emptying the Vacuum Bag in *Operating Instructions*.

# ASSEMBLY INSTRUCTIONS

## INSTALLING THE SHOULDER STRAP



**WARNING:** To avoid serious personal injury, never attempt to start the unit when standing with the unit clipped to the shoulder strap. Always follow the starting procedures as described in the *Starting/Stopping Instructions* section.

1. Push the strap through the center of the buckle.
2. Pull the strap over the cross bar and down through the slot in the buckle (Fig.6).

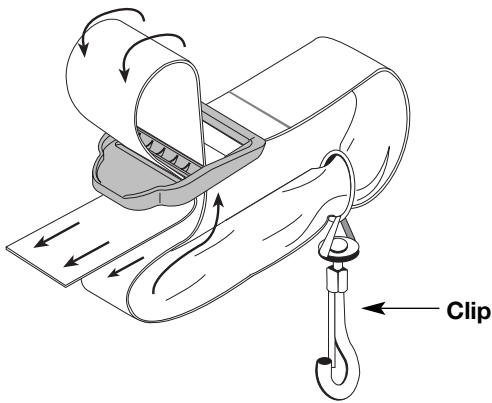


Fig. 6

3. Snap the clip on to the support fittings on the front or back of the handle. Clip to the front portion of the handle when using the unit as a blower, and clip to the back portion of the handle when using the unit as a vacuum (Fig. 7).

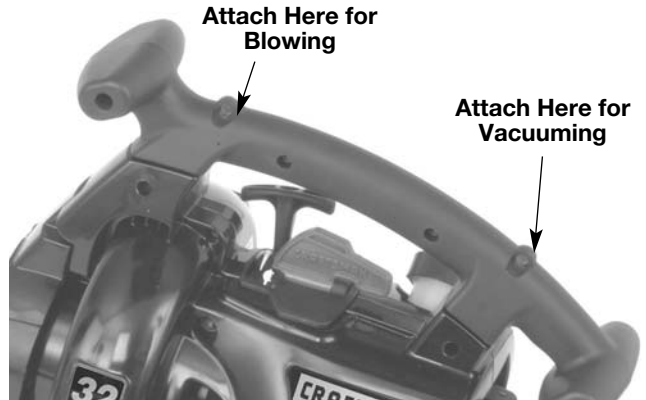


Fig. 7

4. While standing in the operating position, adjust the length to fit the operator's size. Pull the tab to lengthen, pull the strap to shorten (Fig 8).

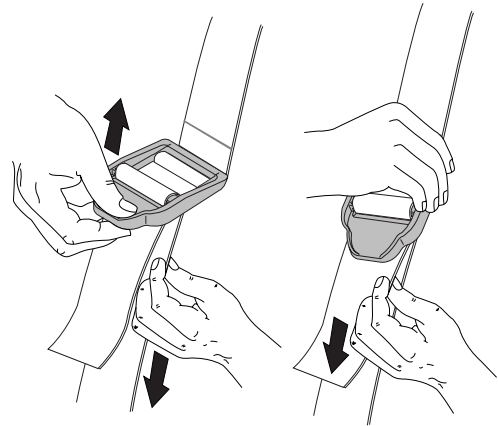


Fig. 8

# OIL AND FUEL INFORMATION

## OIL AND FUEL MIXING INSTRUCTIONS

Old and/or improperly mixed fuel are the main reasons for the unit not running properly. Be sure to use fresh (less than 60 days old), clean unleaded fuel. Follow the instructions carefully for the proper fuel/oil mixture.

### Definition of Blended Fuels

Today's fuels are often a blend of gasoline and oxygenates such as ethanol, methanol, or MTBE (ether). Alcohol-blended fuel absorbs water. As little as 1% water in the fuel can make fuel and oil separate and leads to formation of acids during storage. When using alcohol-blended fuel, use fresh fuel.

### Using Blended Fuels


If you choose to use a blended fuel, or its use is unavoidable, follow recommended precautions:

- Always use the fresh fuel mix explained in your operator's manual
- Always shake the fuel mix before fueling the unit
- Drain the tank and run the engine dry before storing the unit

### Using Fuel Additives

The bottle of 2-cycle oil that came with your unit contains a fuel additive which will help inhibit corrosion and minimize the formation of gum deposits. It is recommended that you always use Craftsman 2-cycle oil with this unit.

If Craftsman 2-cycle oil is unavailable, use a good 2-cycle oil designed for air-cooled engines along with a fuel additive, such as STA-BIL® Gas Stabilizer or an equivalent. Add 0.8 oz. (23 ml.) of fuel additive per gallon of fuel according to the instructions on the container. NEVER add fuel additives directly to the unit's fuel tank.



	<b>CAUTION:</b> For proper engine operation and maximum reliability, pay strict attention to the oil and fuel mixing instructions on the 2-cycle oil container. Using improperly mixed fuel can severely damage the engine.
---	---

## To Obtain Correct Fuel Mix:


Thoroughly mix the proper ratio of 2-cycle engine oil with unleaded gasoline in a separate fuel can. Use a 40:1 fuel/oil ratio. Do not mix them directly in the engine fuel tank. See the Fuel Mixture Table for specific gas and oil mixing ratios.

**NOTE:** One gallon (3.8 liters) of unleaded gasoline mixed with one 3.2 oz. (95 ml.) bottle of 2-cycle oil makes a 40:1 fuel/oil ratio.


## FUEL MIXTURE TABLE

	+	
<b>UNLEADED GAS</b>		<b>2 CYCLE OIL</b>
<b>1 GALLON US (3.8 LITERS)</b>		<b>3.2 FL. OZ. (95 ml)</b>
<b>1 LITER</b>		<b>25 ml</b>

**MIXING RATIO - 40:1**

	<b>WARNING:</b> Gasoline is extremely flammable. Ignited vapors may explode. Always stop the engine and allow it to cool before filling the fuel tank. Do not smoke while filling the tank. Keep sparks and open flames at a distance from the area.
---	--

	<b>WARNING:</b> Remove fuel cap slowly to avoid injury from fuel spray. Never operate the unit without the fuel cap securely in place.
---	--

	<b>WARNING:</b> Add fuel in a clean, well ventilated outdoor area. Wipe up any spilled fuel immediately. Avoid creating a source of ignition for spilled fuel. Do not start the engine until fuel vapors dissipate.
---	---

**NOTE:** Dispose of the old fuel/oil mix in accordance to Federal, State and Local regulations.

# STARTING/STOPPING INSTRUCTIONS



**WARNING:** Operate this unit only in a well-ventilated outdoor area. Carbon monoxide exhaust fumes can be lethal in a confined area.



**WARNING:** Avoid accidental starting. Make sure you are in the starting position when pulling the starter rope (Fig. 11 and 12). To avoid serious injury, the operator and unit must be in a stable position while starting. Do not set unit on any surface except a clean, hard area while starting. Debris such as gravel, sand, dust and grass could be picked up by the air intake and thrown out by the discharge opening. This could damage the unit, property, or cause serious injury to bystanders or the operator.

## STOPPING INSTRUCTIONS

1. Move the throttle control to the idle position (🐢). Allow the engine to cool down by idling (Fig. 10).
2. Put the On/Off Stop Control in the OFF (O) position (Fig. 10).

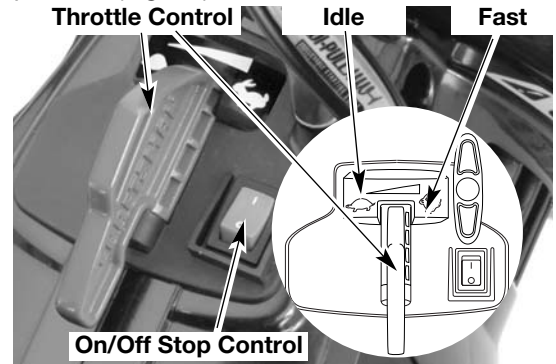


Fig. 9

## STARTING INSTRUCTIONS

1. Mix gas with oil. Fill fuel tank with fuel/oil mixture. See *Oil and Fuel Mixing Instructions*.



**WARNING:** To avoid serious personal injury, always remove the vacuum bag prior to refueling the unit. The bag may become a fire hazard when saturated with fuel.

2. The On/Off Stop Control is in the ON (I) position at all times (Fig. 10).
3. Fully press and release the primer bulb 10 times, slowly. Some amount of **fuel should be visible in the primer bulb** and fuel lines (Fig. 10). If you can't see fuel in the bulb, press and release the bulb as many times as it takes before you can see fuel in it.
4. Place the unit in the starting position (Fig. 11) as a blower, Fig. 12 as a vacuum). **Move the throttle control to the idle position** (🐢) (Fig. 9). This is especially important during cold starting.
5. **Push the red EZ-Fire™ Lever towards the primer bulb** until it clicks and locks into place (Fig. 10).

**NOTE:** The unit uses the **Incredi-Pull™** starting system with **MAX FIRE IGNITION™**, which significantly reduces the effort required to start the engine. You must pull the starter rope out far enough to hear the engine attempt to start. There is no need to pull the rope briskly-- there is no harsh resistance when pulling. Be aware that this starting method is vastly different from (and much easier than) what you may be used to.

6. Pull the starter rope out with a **controlled and steady motion** until the engine attempts to start. Repeat until the engine starts.
7. When the engine starts, move the throttle control to the fast position (🐇) and let the engine warm up for 15 to 30 seconds. **The red EZ-Fire™ Lever will click off automatically** when you move the throttle control to the fast position.

**IF...** The engine does not start, go back to step 3.

**IF...** The engine stops while moving the throttle, go back to step 5.

**IF...** The engine stops before you move the throttle, move the throttle to the fast position and pull the starter until the blower starts.

**NOTE:** If you are having trouble starting the unit or are operating in extreme temperatures (below 40° F, above 90° F), refer to the *Troubleshooting* section.

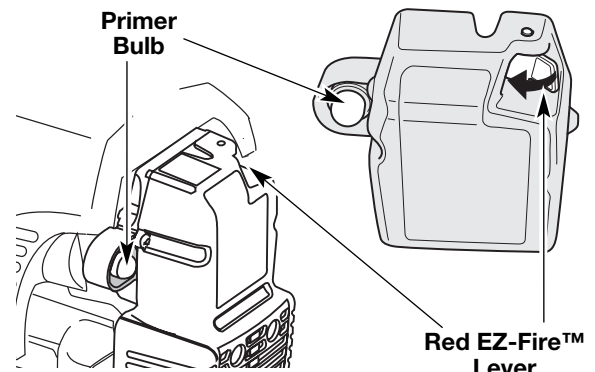


Fig. 10

## Blower Starting Position



Fig. 11

## Vacuum Starting Position

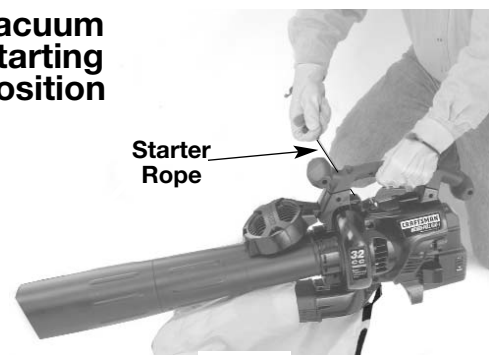


Fig. 12



# OPERATING INSTRUCTIONS

## HOLDING THE BLOWER/VACUUM



**WARNING:** To avoid serious personal injury, wear goggles or safety glasses at all times when operating this unit. Wear a face mask or dust mask in dusty locations.

Before operating the unit, stand in the operating position. Check for the following:

- Operator is wearing proper clothing, such as boots, safety glasses or goggles, ear/hearing protection, gloves, long pants and long sleeve shirt
- If the conditions are dusty, the operator is wearing a dust mask or face mask
- The unit is in good working condition
- The tubes and guards are in place and secure



**WARNING:** To prevent serious personal injury or damage to the unit, make sure blower tubes or vacuum tubes and the vacuum bag are in place before you operate the unit.

## OPERATING TIPS

- Be sure the vacuum bag is zipped closed before operating the unit.
- Ensure the unit is not directed at anybody or any loose debris before starting the unit.
- Verify that the unit is in good working condition. Make sure the tubes and guards are in place and secure.
- Always hold the unit securely when operating. Keep a firm grip on both the front and rear handles.
- To reduce the risk of hearing loss associated with sound level(s), hearing protection is required.
- To reduce noise levels, limit the number of pieces of equipment used at any one time.
- To reduce noise levels, operate power blowers at the lowest possible speed to do the job.
- Check your equipment before operation, especially the muffler, air intakes and air filters.
- Use rakes and brooms to loosen debris before blowing.
- In dusty conditions, slightly dampen surfaces when water is available.
- Conserve water by using power blowers instead of hoses for many lawn and garden applications, including areas such as screens, patios, grills, porches, and gardens.

- Watch out for children, pets, open windows or freshly washed cars, and blow debris safely away.
- Clean up after using blowers and other equipment. Dispose of debris appropriately.

## OPERATING AS A BLOWER

- 1 Use the blower for trees, shrubs, flower beds and hard-to-clean areas (Fig. 13).
2. Use the unit around buildings and for other normal cleaning procedures (Fig. 13).
3. Use the blower around walls, overhangs, fences and screens (Fig. 14).

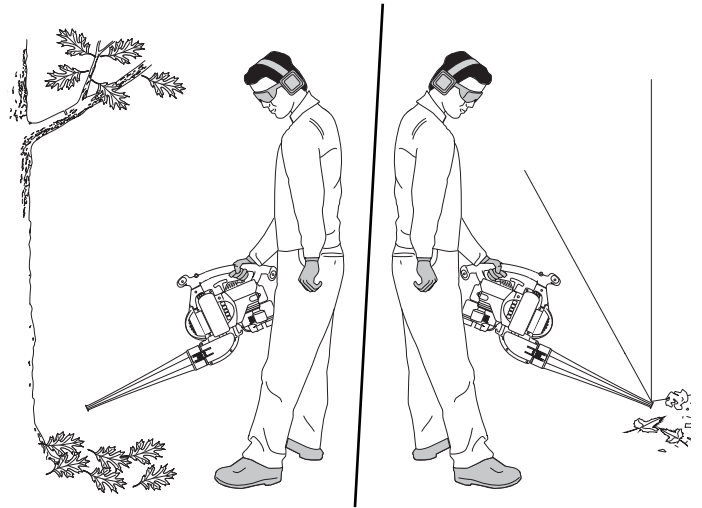


Fig. 13



Fig. 14

# OPERATING INSTRUCTIONS

## OPERATING AS A VACUUM



**WARNING:** To prevent serious personal injury or damage to the unit, always install vacuum tubes, vacuum bag and make sure the vacuum bag is completely zipped closed when operating this unit as a vacuum.

Check for the following before operating the unit:

- Operator is wearing proper clothing, such as boots, safety glasses or goggles, ear/hearing protection, gloves, long pants and long sleeve shirt
- If the conditions are dusty, operator is equipped with a dust mask or face mask
- The unit is in good working condition-- the vacuum tubes and vacuum bag are in place and secure.
- The vacuum shoulder strap in place and correctly adjusted

### Operation Procedure

Use the unit for vacuuming up light debris like leaves and paper.

Hold the vacuum, tilting the suction tube slightly (2-4 in or 50-100 mm above the ground), and use a sweeping action to collect light debris (Fig. 15). The debris will flow into the vacuum bag. Items such as small leaves and small twigs will be mulched as they pass through the fan housing, allowing the vacuum bag to hold more debris.

When the bag is full, suction will noticeably decrease. Turn off the unit and allow the impeller to stop before you unzip the bag. Unzip the bag and empty the contents before continuing. Refer to *Emptying the Vacuum Bag*.



**WARNING:** To avoid serious personal injury, never unzip the vacuum bag without stopping the unit first



**WARNING:** As a vacuum, the unit is designed to pick up dry material such as leaves, grass, small twigs and bits of paper. To avoid serious personal injury, do not attempt to vacuum wet debris and/or standing water as this may result in damage to the blower/ vacuum. To avoid severe damage to the impeller, do not vacuum metal, broken glass or similar items.



**WARNING:** Avoid situations that could catch the vacuum bag on fire. Do not operate near an open flame. Do not vacuum warm ash from fireplaces, barbecue pits, brush piles, etc. Do not vacuum discarded cigars or cigarettes unless the cinders are completely cool.



**WARNING:** When the upper and lower vacuum tubes are removed, make sure the vacuum door is snapped closed and secured before using the unit, to avoid injury from the impeller.

### Emptying the Vacuum Bag

1. Remove the bag from the vacuum bag hook.
2. While wearing eye protection and a dust mask, unzip the vacuum bag and empty the contents into a garbage bag or container.



**WARNING:** To avoid serious personal injury, turn off the unit and allow the impeller to stop before opening vacuum door or installing or removing vacuum bag.

3. Turn the bag inside out after initial emptying and vigorously shake out dust and debris.
4. Zip close and reinstall the vacuum bag.



Fig. 15

# MAINTENANCE AND REPAIR INSTRUCTIONS

## MAINTENANCE SCHEDULE

Perform these required maintenance procedures at the frequency stated in the table. These procedures should also be a part of any seasonal tune-up.

**NOTE:** Some maintenance procedures may require special tools or skills. If you are unsure about these procedures take your unit to a Sears or other qualified service dealer. Call 1-800-4-MY-HOME®.

	<b>WARNING:</b> To prevent serious injury, never perform maintenance or repairs with unit running. Always service and repair a cool unit. Disconnect the spark plug wire to ensure that the unit cannot start.
--	--

**NOTE:** Maintenance, replacement, or repair of the emission control devices and system may be performed by a Sears or other qualified service dealer. Call 1-800-4-MY-HOME® for more information.

In order to ensure peak performance of your engine, inspection of the engine exhaust port may be necessary after 50 hours of operation. If you notice lost RPM, poor performance or general lack of acceleration, this service may be required. If you feel your engine is in need of this inspection, refer service to a Sears or other qualified service dealer. Call 1-800-4-MY-HOME® for more information. **DO NOT** attempt to perform this process yourself as engine damage may result from contaminants involved in the cleaning process for the port.

FREQUENCY	MAINTENANCE REQUIRED	REFER TO
Before starting engine	Fill fuel tank with fresh fuel	Page 11
Every 10 hours	Clean and re-oil air filter	Page 15
Every 25 hours	Check and clean spark arrestor Check spark plug condition and gap	Page 16 Page 17
Every 50 hours	Inspect exhaust port and spark arrestor screen for clogging or obstruction to assure maximum performance levels	Page 16

## AIR FILTER MAINTENANCE

### Removing the Air Filter/Muffler Cover

	<b>WARNING:</b> To avoid serious personal injury, always turn your unit off and allow it to cool before you clean or service it.
--	--

1. Remove the four (4) screws securing the air filter/muffler cover (Fig. 16). Use a flat blade or T20 Torx bit screwdriver.
2. Pull the cover from the engine. Do not force.



Fig. 16

### Cleaning the Air Filter

Clean and re-oil the air filter every 10 hours of operation. It is an important item to maintain. Failure to maintain your air filter properly can result in poor performance or can cause permanent damage to your engine.

1. Remove air filter/muffler cover. Refer to *Removing the Air Filter/Muffler Cover*.
2. Turn cover over and look inside to locate the air filter. Remove the air filter from inside the air filter/muffler cover (Fig. 17).
3. Wash the filter in detergent and water (Fig. 18). Rinse the filter thoroughly. Squeeze out excess water. Allow it to dry completely.



Fig. 17

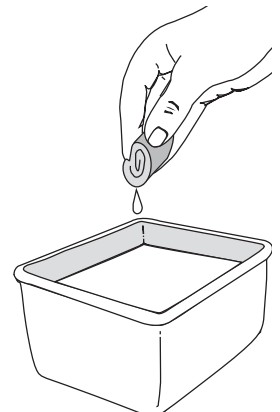


Fig. 18

# MAINTENANCE AND REPAIR INSTRUCTIONS

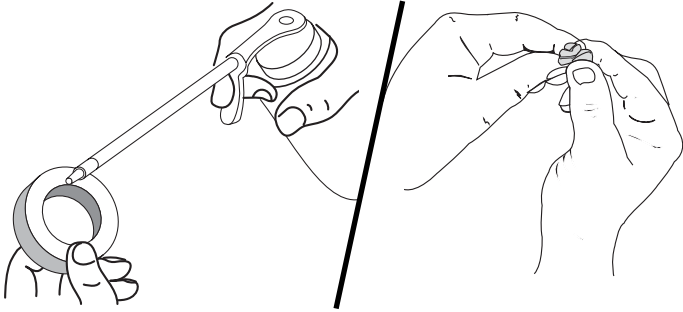


Fig. 19

Fig. 20

4. Apply enough clean SAE 30 oil to lightly coat the filter (Fig. 19).
5. Squeeze the filter to spread and remove excess oil (Fig. 20).
6. Replace the air filter inside the air filter/muffler cover (Fig. 17).

**NOTE:** Operating the unit without the air filter and air filter/muffler cover assembly will VOID the warranty.

## Reinstalling the Air Filter/Muffler Cover

1. Place the air filter/muffler cover over the back of the carburetor and muffler. Align the screw holes.
2. Insert the four (4) screws into the holes in the air filter/muffler cover (Fig. 16) and tighten.  
**Do not over tighten.**


**NOTE:** Make sure that the **Red EZ-Fire™** lever is positioned away from the primer bulb.

## SPARK ARRESTOR MAINTENANCE

**NOTE:** Please let engine cool. The exhaust can only flow in one direction: AWAY from the engine. Pay close attention when disassembling the muffler so you can put it back together correctly. Failure to do so will damage the unit and may cause serious personal injury.

1. Remove air filter/muffler cover. Refer to *Removing the Air Filter/Muffler Cover*.
2. Locate the muffler, but do not remove it. Find the two (2) screws on the bottom of the muffler (Fig. 21). These two screws hold the Spark Arrestor Hood Assembly and the spark arrestor screen to the bottom of the muffler. Remove the two (2) screws using either a Torx T20 or flat blade screwdriver.
3. Using a small flat blade screwdriver, carefully pry up the spark arrestor screen from the recessed hole, taking care to notice that the “raised” part of the spark arrestor screen is inside the recessed hole. Remove the spark arrestor screen from the muffler.

4. Clean the spark arrestor screen with a wire brush. Replace it if it is damaged, or if you are unable to clean it thoroughly.
5. Reinstall the spark arrestor screen by putting the “raised” portion of the screen inside the recessed hole of the muffler. Make sure that the spark arrestor screen fits flat against the muffler.
6. Place the spark arrestor plate on top of the spark arrestor screen with the “raised” side up and the opening facing towards the engine (Fig. 21).
7. Place the spark arrestor hood on top of the spark arrestor plate with the “raised” side up and the opening facing AWAY from the engine (Fig. 21). Verify that the exhaust will be directed AWAY from the engine.
8. Replace the two screws you removed in Step 2 and tighten them securely.
9. Reinstall the air filter/muffler cover (Fig. 16).

	<p><b>WARNING:</b> If the exhaust deflector assembly is not tightened securely, it could fall off causing damage to the unit and possible serious personal injury.</p>
---	--

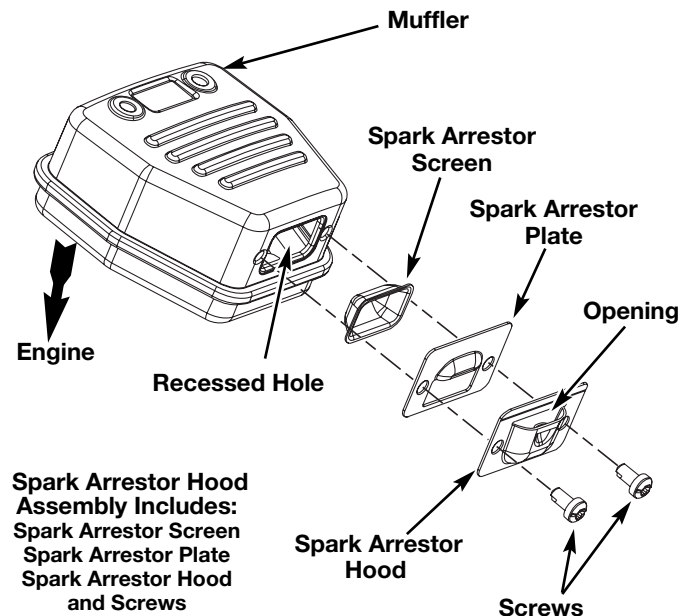


Fig. 21



# MAINTENANCE AND REPAIR INSTRUCTIONS

## CARBURETOR ADJUSTMENT

The idle speed of the engine is adjustable through the air filter/muffler cover (Fig. 22).

**NOTE:** Careless adjustments can seriously damage your unit. Contact a Sears or other qualified service dealer to make carburetor adjustments. Call 1-800-4-MY-HOME® for more information

### Check Fuel Mixture

Old and/or improperly mixed fuel is usually the reason for improper unit performance. Drain and refill the tank with fresh, properly-mixed fuel prior to making any adjustments. Refer to *Oil and Fuel Information*.

### Clean Air Filter

The condition of the air filter is important to the operation of the unit. A dirty air filter will restrict air flow and change the air/fuel mixture. This is often mistaken for an out of adjustment carburetor. Check the condition of the air filter before adjusting the idle speed screw. Refer to *Air Filter Maintenance*.

### Adjust Idle Speed Screw



**WARNING:** This unit will need to be running during idle speed adjustment. Wear protective clothing and observe all safety instructions to prevent serious personal injury.

Also, DO NOT set unit on any surface except a clean, hard area while starting or performing any adjustments. Debris such as gravel, sand, dust, grass, etc. could be picked up by the air intake and thrown out by the discharge opening, damaging unit, property, or causing serious injury to bystanders or operator.

If after checking the fuel mixture and cleaning the air filter the engine still will not idle, adjust the idle speed screw as follows.

1. Start the engine and let it run at the fast position for a minute to warm up. Refer to *Starting/Stopping Instructions*.
2. Move the throttle control to the idle position and let the engine idle. If the engine stops, insert a small phillips or flat blade screwdriver into the hole in the air filter/muffler cover (Fig. 22). Turn the idle speed screw in, **clockwise**, 1/8 of a turn at a time (as needed) until the engine idles smoothly.
3. If the engine appears to be idling too fast, turn the idle speed screw **counter-clockwise** 1/8 of a turn at a time (as needed), to reduce idle speed.

Checking the fuel mixture, cleaning the air filter, and adjusting the idle speed should solve most engine problems. If not and all of the following are true:

- the engine will not idle
- the engine hesitates or stalls on acceleration
- there is a loss of engine power

Have the carburetor adjusted by a Sears or other qualified service dealer. Call 1-800-4-MY-HOME® for more information.

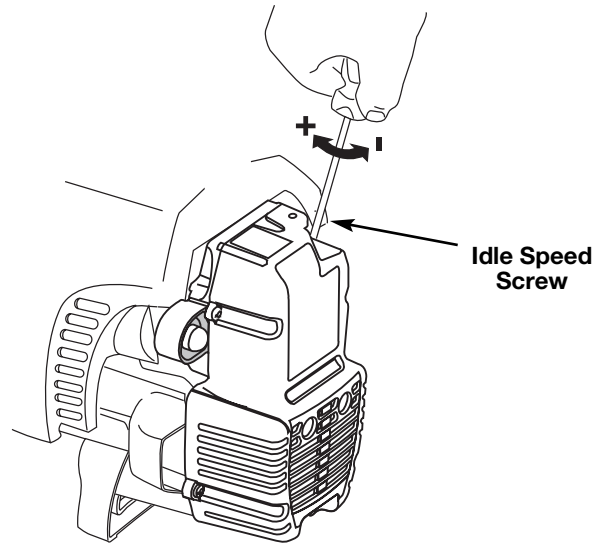


Fig. 22

## REPLACING THE SPARK PLUG

Use a Champion RDJ7Y spark plug, or equivalent. The correct air gap is **0.020 inch (0.5 mm)**. Remove the plug after every 25 hours of operation and check its condition.

1. Stop the engine and allow it to cool. Grasp the plug wire firmly and pull it from the spark plug.
2. Clean around the spark plug. Remove the spark plug from the cylinder head by turning a 5/8-inch socket counterclockwise.
3. Replace a cracked, fouled or dirty spark plug. Set the air gap at **0.020 in. (0.5 mm)** using a feeler gauge (Fig. 23).



**WARNING:** Do not sand blast, scrape or clean electrodes. Grit in the engine could damage the cylinder.

4. Install a correctly-gapped spark plug in the cylinder head. Tighten by turning the 5/8-inch socket clockwise until snug.

If using a torque wrench torque to:

**110-120 in. • lb. (12.3-13.5 N • m)**

**Do not over tighten.**

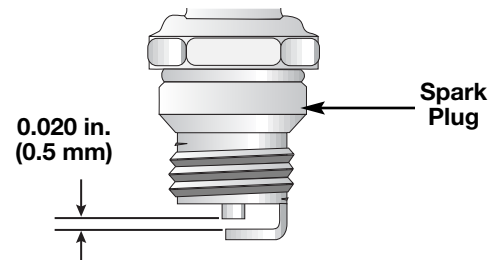


Fig. 23

# MAINTENANCE AND REPAIR INSTRUCTIONS

## TRANSPORTING

- Allow the engine to cool before transporting.
- Drain fuel from unit.
- Tighten fuel cap before transporting.
- Secure the unit while transporting.

## CLEANING THE UNIT



**WARNING:** To avoid serious personal injury, always turn your unit off and allow it to cool before you clean or service it.

Use a small brush to clean off the outside of the unit. Do not use strong detergents. Household cleaners that contain aromatic oils such as pine and lemon, and solvents such as kerosene, can damage plastic housing or handle. Wipe off any moisture with a soft cloth.

## CLEANING THE VACUUM BAG

1. Empty the bag after each use to avoid deterioration and obstructing air flow, which will reduce the performance of the vacuum.
2. Wearing eye protection and a dust mask, clean the bag as needed. Turn the bag inside out after initial emptying and vigorously shake out dust and debris.
3. Wash the bag once a year or more often if needed:
  - a. Remove the vacuum bag.
  - b. Turn bag inside out.
  - c. Hang it up.
  - d. Hose it down thoroughly.
  - e. Hang to dry.
  - f. Turn bag right-side out and reinstall.

## CLEARING A BLOCKED TUBE / IMPELLER



**WARNING:** To avoid serious personal injury, be sure the unit is off before cleaning or performing any maintenance on it.



**WARNING:** To avoid serious personal injury, always wear gloves to protect yourself from the impeller blades or other sharp objects.

1. Press the On/Off Stop control down in the **STOP (O)** position until the engine comes to a complete stop (Fig. 10).
2. Disconnect the spark plug wire to prevent the unit from starting.
3. Remove the blower/vacuum tube and the vacuum bag.
4. Carefully remove material blocking the tube or impeller. Inspect the blades to assure no damage has occurred. Rotate the impeller blades by hand to assure the blockage is completely cleared.
5. Reinstall the vacuum bag and blower/vacuum tube.
6. Reconnect the spark plug wire.

## STORAGE

- Never store a fueled unit where fumes may reach an open flame or spark.
- Allow the engine to cool before storing.
- Store the unit locked up to prevent unauthorized use or damage.
- Store the unit in a dry, well-ventilated area.
- Store the unit out of the reach of children.

## LONG TERM STORAGE

If you plan on storing the unit for an extended time, use the following storage procedure:

1. Carefully drain the fuel tank by running the unit dry or remove fuel cap and tip the motor housing over and drain oil/gas fuel into a container with the same 2-cycle fuel mixture. Do not use fuel that has been stored for more than 60 days.



**CAUTION:** Dispose of the old fuel/oil mixture in accordance with all Federal, State, and Local regulations.

2. Start the engine and allow it to run until it stalls. This ensures that all fuel has been drained from the carburetor.
3. Allow the engine to cool. Remove the spark plug and put 1 oz. (30 ml) of any high quality motor oil or 2-cycle oil into the cylinder. Pull the starter rope slowly to distribute the oil. Reinstall the spark plug.



**CAUTION:** Dispose of the old fuel/oil mixture in accordance with all Federal, State, and Local regulations.

**NOTE:** Remove the spark plug and drain all of the oil from the cylinder before attempting to start the unit after storage.

4. Thoroughly clean the unit and inspect it for any loose or damaged parts. Repair or replace damaged parts and tighten loose screws, nuts or bolts. The unit is ready for storage.

# TROUBLESHOOTING

## ENGINE WILL NOT START

### CAUSE

1. Empty fuel tank
2. Primer bulb wasn't pressed enough
3. Engine flooded
4. Old or improperly mixed fuel
5. Fouled spark plug
6. Plugged spark arrestor
7. Red EZ-Fire™ Lever wasn't flipped/set
8. The outside temperature is below 40° F
9. The outside temperature is above 90° F
10. Throttle lever is in the incorrect position

### ACTION

1. Fill fuel tank with properly mixed fuel
2. Press primer bulb fully and slowly 10 times
3. Flip throttle lever to FAST and pull starter rope
4. Drain gas tank / Add fresh fuel mixture
5. Replace or clean the spark plug
6. Clean or replace spark arrestor
7. Move lever to the starting position
8. Pull the starter rope up to 10-15 times
9. Move the throttle control to the fast position and pull the starter rope with out moving the red EZ-Fire™ lever
10. Refer to the Starting/Stopping instructions

## ENGINE WILL NOT IDLE

### CAUSE

1. Air filter is plugged
2. Old or improperly mixed fuel
3. Improper carburetor adjustment

### ACTION

1. Replace or clean the air filter
2. Drain gas tank / Add fresh fuel mixture
3. Adjust according to the *Carburetor Adjustments*

## ENGINE WILL NOT ACCELERATE

### CAUSE

1. Old or improperly mixed fuel
2. Improper carburetor adjustment
3. Dirty air filter
4. Plugged spark arrestor

### ACTION

1. Drain gas tank / Add fresh fuel mixture
2. Take to a Sears or other qualified service dealer for carburetor adjustment
3. Clean or replace the air filter
4. Clean or replace spark arrestor

## ENGINE LACKS POWER OR STALLS

### CAUSE

1. Old or improperly mixed fuel
2. Improper carburetor adjustment
3. Fouled spark plug
4. Plugged spark arrestor
5. Air filter is plugged

### ACTION

1. Drain gas tank / Add fresh fuel mixture
2. Take to a Sears or other qualified service dealer
3. Replace or clean the spark plug
4. Clean or replace spark arrestor
5. Replace or clean the air filter

## UNIT WILL NOT BLOW OR VACUUM

### CAUSE

1. Bag full
2. Blocked tube
3. Blocked impeller
4. Damaged impeller

### ACTION

1. Empty bag, as described in *Empty the Vacuum Bag*
2. Clear the blockage as described in *Clearing a Blocked Tube/ Impeller*
3. Clear the blockage as described in *Clearing a Blocked Tube/ Impeller*
4. Take the unit to a Sears or other qualified service dealer

**NOTE:** For repairs beyond the minor adjustments listed above, contact your nearest Sears Parts & Repair center (1-800-4-MY-HOME®) or other qualified service dealer for an adjustment.

# SPECIFICATIONS

## ENGINE\*

Engine Type.....	Air-Cooled, 2-Cycle
Displacement.....	31.5 cc (1.95 cu. in)
Idle Speed RPM .....	3,200 - 4,400 rpm
Vacuum Operating RPM.....	6,800+ rpm
Blower Operating RPM.....	7,200+ rpm
Ignition Type.....	Electronic-MAX FIRE IGNITION™
On/Off Stop Control.....	Rocker Switch
Spark Plug Gap .....	0.020 inch (0.5 mm)
Lubrication .....	Fuel/Oil Mixture
Fuel/Oil Ratio.....	40:1
Carburetor .....	Diaphragm, All-Position
Starter .....	Incredi-Pull™ Starting Auto Rewind
Muffler .....	Baffled with Guard
Fuel Tank Capacity.....	13 ounces (384 ml)

## BLOWER / VACUUM\*

Throttle Control.....	Finger-Tip Lever
Blower Velocity .....	up to 205 mph (330 kmh)
Blower Air Output .....	up to 425 cfm (12.1 cmm)
Mulching Ratio.....	up to 10:1
Vacuum Bag Capacity .....	1.5 bushels (52.8 Liters)
Shoulder Strap .....	Single Quick-Snap
Approximate Unit Weight (no fuel, with blower tube) .....	11.3 lb. (5.2 kg)
Hearing protection	

## OPTIONAL ACCESSORIES

.....	Gutter Clean Out Adapter
-------	--------------------------

\*All specifications are based on the latest product information available at the time of printing. We reserve the right to make changes at any time without notice.

# NOTES

# NOTES

# NOTES

## **California / EPA Emission Control Warranty Statement**

### **Your Warranty Rights and Obligations**

The California Air Resources Board, The Environmental Protection Agency and Sears are pleased to explain the emission control system warranty on your 2000 and later small off-road engine. New small off-road engines must be designed, built and equipped to meet stringent anti-smog standards. Sears, Roebuck and Co. must warrant the emission control system on your small off-road engine for the periods of time listed below provided there has been no abuse, neglect or improper maintenance of your small off-road engine.

Your Emission control system may include parts such as the carburetor or fuel-injection system, the ignition system, and catalytic converter. Also included may be hoses, belts, connectors and other emission-related assemblies.

Where a warrantable condition exists, Sears will repair your small off-road engine at no cost to you including diagnosis, parts and labor.

**The 2000 and later small off-road engines are warranted for two years. If any emission-related part on your engine is defective, the part will be repaired or replaced by Sears.**

#### **Owner's Warranty Responsibilities**

- As the small off-road engine owner, you are responsible for the performance of the required maintenance listed in your operator's manual. Sears recommends that you retain all receipts covering maintenance on your small off-road engine, but Sears cannot deny warranty solely for the lack of receipts or for your failure to ensure the performance of all scheduled maintenance.
- As the small off-road engine owner, you should however be aware that Sears may deny you warranty coverage if your small off-road engine or a part has failed due to abuse, neglect, improper maintenance or unapproved modifications.
- You are responsible for presenting your small off-road engine to a Sears authorized service center as soon as problem exists. The warranty repairs should be completed in a reasonable amount of time, not to exceed 30 days. if you have any questions regarding your warranty rights and responsibilities, you should call 1-800-4-MY-HOME®.

#### **Manufacturer's Warranty Coverage**

- The warranty period begins on the date the engine or equipment is delivered to the retail purchaser.
- The manufacturer warrants to the initial owner and each subsequent purchaser, that the engine is free from defects in material and workmanship which cause the failure of a warranted part for a period of two years.
- Repair and replacement of warranted part will be performed at no charge to the owner at an authorized Sears service center. For the nearest location please contact Sears at: 1-800-4-MY-HOME®.
- Any warranted part which is not scheduled for replacement, as required maintenance or which is scheduled only for regular inspection to the effect of "Repair or Replace as Necessary" is warranted for the period. Any warranted part which is scheduled for replacement as required maintenance will be warranted for the period of time up to the first scheduled replacement point for that part.
- The owner will not be charged for diagnostic labor which leads to the determination that a warranted part is defective, If the diagnostic work is performed at an authorized Sears Service Center.
- The manufacturer is liable for damages to other engine components caused by the failure of a warranted part still under warranty.
- Failures caused by abuse, neglect or improper maintenance are not covered under warranty.
- The use of add-on or modified parts can be grounds for disallowing a warranty claim. The manufacturer is not liable to cover failures of warranted parts caused by the use of add-on or modified parts.
- In order to file a claim, go to your nearest authorized Sears Service Center. Warranty service or repairs will be provided at all authorized Sears Service Centers.
- Any manufacturer approved replacement part may be used in the performance of any warranty maintenance or repair of emission related parts and will be provided without charge to the owner. Any replacement part that is equivalent in performance or durability may be used in non-warranty maintenance or repair and will not reduce the warranty obligations of the manufacturer.
- The following components are included in the emission related warranty: engine, air filter, carburetor, primer, fuel lines, fuel pick up/fuel filter, ignition module, spark plug and muffler.



# INDICE DE CONTENIDOS

Garantía	Página 25	Cuadro de solución de problemas	Página 42
Normas para una operación segura	Página 26-30	Especificaciones	Página 43
Instrucciones de ensamble	Página 31-33	CARB / EPA Garantía	Página 44
Información del aceite y del combustible	Página 34	Lista de Piezas	Página 35-46
Instrucciones de arranque y apagado	Página 35	Cobertura de Gastos de Reparaciones	Página 47
Operación	Página 36-37	Números de Servicio	Contraportada
Mantenimiento y reparación	Página 38-41		

## GARANTIA

### GARANTÍA LIMITADA POR DOS AÑOS EN EL SOPLADOR/ASPIRADORA DE GASOLINA CRAFTSMAN

Por dos años a partir de la fecha de compra, cuando se use y se dé mantenimiento a este Soplador según el manual del operador, Sears reparará cualquier defecto en material o mano de obra sin cargo alguno.

Esta garantía excluye la bujía, el filtro de aire y la bolsa de la aspiradora, las cuales son piezas fungibles que se pueden gastar debido al uso normal en menos de dos años.

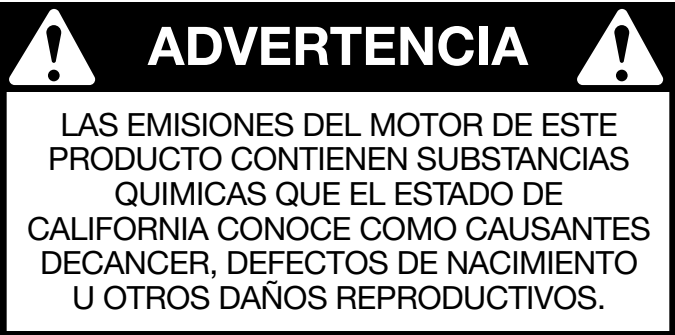
Si este Soplador se usa para fines comerciales o de alquiler, esta garantía tiene valor por solo 30 días a partir de la fecha de compra.

### EL SERVICIO DE LA GARANTÍA ESTÁ DISPONIBLE AL DEVOLVER ESTE SOPLADOR A LA TIENDA SEARS O AL CENTRO DE PIEZAS Y REPARACIONES DE SEARS MÁS CERCANO EN LOS ESTADOS UNIDOS.

Esta garantía le concede a usted derechos legales específicos, y usted pudiera tener otros derechos que varían de un estado a otro.

Sears, Roebuck and Co., Dept. 817WA, Hoffman Estates, IL 60179

### PROPOSICIÓN 65 DE CALIFORNIA



### PARACHISPAS

**NOTA:** Para los usuarios en tierras forestales de los EE.UU. y en los estados de California, Maine, Oregon y Washington. Todos los terrenos forestales de los EE.UU. y el estado de California (Códigos de Recursos Públicos 4442 y 4443), Oregon y Washington, requieren por decreto, que ciertos motores de combustión interna que se hagan funcionar en zonas boscosas y/o zonas cubiertas por pastizales, estén equipados con un parachispas, que sean mantenidos en buen estado de funcionamiento o que el motor sea construido, esté equipado y sea mantenido para evitar incendios. Consulte los reglamentos pertinentes a esos requisitos con las autoridades estatales o locales. El incumplimiento de esos requisitos puede responsabilizarle o someterle a la imposición de una multa. **Esta unidad fue equipada en la fábrica con un parachispas.** Si requiere sustitución, hay una **Pantalla Parachispas disponible, Pieza #753-04689** al contactar el departamento de servicio.

# NORMAS PARA UNA OPERACION SEGURA

Los símbolos de seguridad se utilizan para llamar su atención sobre posibles peligros. Los símbolos de seguridad y sus explicaciones merecen toda su atención y comprensión. Los símbolos de seguridad no eliminan ningún peligro por sí mismos. Las instrucciones o advertencias que ofrecen no substituyen las medidas adecuadas de prevención de accidentes.

SIMBOLO	SIGNIFICADO
---------	-------------



## ALERTA DE SEGURIDAD:

Indica peligro, advertencia o precaución. Debe prestar atención para evitar sufrir graves lesiones personales. Puede ser utilizado junto con otros símbolos o figuras.

**NOTA:** Le ofrece información o instrucciones que son esenciales para la operación o mantenimiento del equipo.

**Lea el manual del operador y siga todas las advertencias e instrucciones de seguridad.**

**De no hacerlo, el operador y/o los espectadores pueden sufrir graves lesiones.**

SIMBOLO	SIGNIFICADO
---------	-------------



**PELIGRO:** El no obedecer una advertencia de seguridad puede conducir a que usted u otras personas sufran graves lesiones. Siga siempre las precauciones de seguridad para reducir el riesgo de incendio, descarga eléctrica y lesiones personales.



**ADVERTENCIA:** El no seguir una advertencia de seguridad puede conducir a que usted u otras personas sufran lesiones. Siga siempre las precauciones de seguridad para reducir el riesgo de incendio, descarga eléctrica y lesiones personales.



**PRECAUCION:** El no seguir una advertencia de seguridad puede conducir a daño patrimonial o a que usted u otras personas sufran lesiones personales. Siga siempre las precauciones de seguridad para reducir el riesgo de incendio, descarga eléctrica y lesiones personales.

## • IMPORTANTE INFORMACION DE SEGURIDAD •

### LEA TODAS LAS INSTRUCCIONES ANTES DE LA OPERACIÓN

- Lea todas las instrucciones con cuidado. Conozca bien los controles y el uso correcto de la unidad.
- No opere esta unidad si está cansado, enfermo, o bajo los efectos del alcohol, drogas o medicamentos.
- Los niños y los adolescentes menores de 15 años no deben operar las unidades, excepto por los adolescentes guiados por un adulto.
- Se debe instalar adecuadamente todos los protectores y accesorios de seguridad antes de hacer funcionar la unidad.
- Inspeccione la unidad antes de utilizarla. Cambie las partes dañadas. Verifique si existen fugas de combustible. Asegúrese de que los sujetadores estén bien colocados y asegurados. Cambie las piezas que estén quebradas, astilladas o dañadas de alguna manera. No funcione la unidad cuando ésta tenga piezas sueltas o dañadas.
- Inspeccione cuidadosamente el área antes de poner en marcha la unidad. Retire todos los desechos y objetos duros o filosos tales como vidrio, alambre, etc.
- Aleje a todos los niños, espectadores y animales domésticos. Mantenga todos los niños, espectadores y animales domésticos a un radio de por lo menos 15 m (50 pies) ; aún así puede existir un riesgo de objetos despedidos contra los espectadores. Los espectadores deben usar protección para sus ojos. Si alguien se le acerca, pare la unidad inmediatamente.

### ADVERTENCIAS DE SEGURIDAD PARA UNIDADES A GASOLINAS



**ADVERTENCIA:** La gasolina es muy inflamable y sus gases pueden explotar si se encienden. Tome las siguientes precauciones:

- Guarde el combustible en envases que hayan sido diseñados y aprobados para el almacenamiento de dichos materiales.
- Evite crear una fuente de encendido por combustible derramado. No arranque el motor hasta que se hayan disipado los vapores del combustible.
- Apague siempre el motor y espere que se enfríe. No retire nunca la tapa del tanque de combustible ni cargue combustible mientras el motor esté caliente. Nunca opere la unidad sin la tapa del combustible colocada firmemente en su lugar. Afloje la tapa del combustible lentamente para disipar la presión del tanque.
- Agregue el combustible en una zona limpia, bien ventilada y al aire libre, donde no haya chispas ni llamas. Quite lentamente la tapa del combustible sólo después de apagar el motor. No fume mientras carga o mezcla el combustible. Limpie de inmediato todo el combustible que se haya derramado. Seque siempre la unidad con un trapo antes de usarla.
- Aleje la unidad a por lo menos 9,1 m (30 pies) del lugar de carga de combustible antes de arrancar el motor. No fume. Mantenga las chispas y las llamas abiertas lejos del área mientras carga el combustible u opera la unidad.

# NORMAS PARA UNA OPERACIÓN SEGURA

## DURANTE LA OPERACIÓN

- No arranque ni opere la unidad en un cuarto o edificio cerrado. Los gases de escape de monóxido de carbono pueden ser letales en un área cerrada. Opere esta unidad sólo en un área exterior bien ventilada.
- Para reducir el riesgo de lesiones asociadas con los objetos lanzados, utilice gafas de protección que tengan una marca de clasificación normativa ANSI Z87.
- Nunca haga funcionar la unidad sin que ésta tenga conectado el equipo apropiado. Cuando use esta unidad, instale siempre los tubos de la sopladora / aspiradora y la bolsa de recolección, dependiendo del modelo. Asegurese de cerrar completamente la bolsa de recolección.
- Para reducir el riesgo de pérdida auditiva asociada con los niveles de sonido, use siempre protección para las orejas / oídos cuando haga funcionar esta unidad.
- Use pantalón largos y gruesos, botas y guantes. No use pantalones cortos, sandalias ni ande descalzo.
- Para evitar el choque de electricidad estática, no se ponga guantes de caucho o guantes aislados mientras haga funcionar esta unidad.
- Para reducir el riesgo de lesión asociada con objetos que sean atraídos hacia las piezas que giran, no use ropa suelta, joyas, bufandas ni cosas parecidas. Asegurese el cabello por encima del nivel de los hombros.
- Úse una máscara para la cara o contra el polvo si el trabajo es polvoriento. Se recomiendan las camisas de manga larga.
- Use la unidad únicamente con la luz del día o con buena luz artificial.
- Mantenga las superficies exteriores libres de aceite y combustible.
- Evite arrancar la unidad accidentalmente. Colóquese en posición de inicio siempre que tire de la cuerda de arranque. El operador y la unidad deben estar en una posición estable al comenzar. Lea las *Instrucciones de Arranque y Apagado*.
- No ponga la unidad sobre ninguna superficie excepto sobre una superficie que esté limpia y que sea sólida, cuando el motor esté prendido. Los desechos tales como la grava, arena, polvo, césped, etc., pueden ser absorbidos por la toma de aire y ser lanzados por la abertura de descarga, causándole daños a la unidad, propiedad o causándole lesiones graves a los espectadores o al operario.
- Use la herramienta adecuada. Solamente use esta herramienta para la tarea que ha sido diseñada.
- No fuerce la unidad. Hará mejor el trabajo y con menos probabilidad de lesión bajo la tasa de funcionamiento que fue diseñada.
- No alcance más de la cuenta ni la use desde superficies inestables tales como escaleras, árboles, lomas muy inclinadas, techos, etc. Observe siempre una posición firme y balanceada.
- Sostenga siempre la unidad con ambas manos mientras esté en funcionamiento.
- Mantenga las manos, la cara y los pies lejos de todas las partes móviles. No toque ni intente detener el rotor cuando esté girando. No la haga funcionar sin los protectores puestos en su lugar.
- No ponga ningún objeto en las aberturas. No la use cuando cualquier abertura esté bloqueada, manténgalas libres de mugre, desechos o cualquier cosa que pueda reducir el flujo de aire.
- No toque el motor, o el silenciador. Estas partes se calientan mucho con la operación. Luego de apagar la unidad, permanecen calientes durante un tiempo breve.
- No opere el motor a una velocidad mayor que la necesaria para hacer el trabajo. No haga funcionar el motor a alta velocidad mientras no lo está usando.
- Apague siempre el motor cuando demore la operación o mientras camina de un lugar hacia otro.
- Pare el motor para hacerle mantenimiento, reparaciones, para instalar o quitarle los tubos de soplado o aditamentos de succión. La unidad debe parar y el rotor no debe estar girando, para evitar contacto con las cuchillas que giran.
- Use sólo piezas y accesorios de repuesto del fabricante del equipo original para esta unidad. Puede obtenerlos en su proveedor de servicio autorizado. El uso de piezas y accesorios que no son equipo original; puede causar graves lesiones al operador o el daño de su unidad, y la cancelación de su garantía.
- Nunca use esta unidad para regar productos químicos, fertilizantes u otras sustancias que puedan contener sustancias tóxicas.
- Para reducir el riesgo de incendio, cambie los silenciadores y parachispas defectuosos, mantenga el motor y el silenciador libre de pasto, hojas, grasa excesiva o acumulaciones de carbono.

# NORMAS PARA UNA OPERACIÓN SEGURA

## MIENTRAS OPERA COMO SOPLADORA

- Nunca apunte la sopladora hacia a la gente, mascotas o ventanas. Dirija siempre el soplado de desechos lejos de la gente, animales y ventanas. Tenga mucho cuidado cuando sople desechos cerca de objetos sólidos como árboles, automóviles, paredes, etc.

## MIENTRAS OPERA COMO ASPIRADORA

- Evite situaciones que puedan prenderle fuego a la bolsa de recolección. No la haga funcionar cerca de una llama abierta. No aspire cenizas tibias de chimeneas, hoyos para asado, montones de maleza, etc. No aspire cigarrillos descartados a menos que las cenizas estén completamente frías.
- La unidad está diseñada para recoger material seco tal como hojas, césped, ramitas y pedazos de papel. No intente aspirar desechos mojados o agua estancada ya que eso puede ocasionarle daños a la sopladora / aspiradora. Para evitarle daños graves al rotor, no aspire metales, vidrios rotos, etc.

## OTRAS ADVERTENCIAS DE SEGURIDAD

- Desconecte la bujía en todo momento antes de hacerle mantenimiento o alcanzar las piezas móviles.
- Nunca guarde la unidad con combustible en el tanque dentro de un edificio en donde los gases puedan alcanzar una llama expuesta (pilotos, etc) o chispas (interruptores, motores eléctricos, etc.)
- Permita que el motor se enfríe antes de guardarla o transportarla. Asegúrese de sujetar la unidad mientras la transporta.

- Guarde la unidad en un lugar seco, bien sea bajo llave o suficientemente alto para que evite el uso no autorizado o daños. Manténgala fuera del alcance de los niños.
- Nunca remoje o chorree la unidad con agua o cualquier otro líquido. Mantenga los mangos secos, limpios y libres de escombros. Límpiela después de cada uso, vea las *Instrucciones de Limpieza y Almacenamiento*.
- Conserve estas instrucciones. Consúltelas con frecuencia y úselas para instruir a otros usuarios. Si le presta esta unidad a otras personas, también incluya las instrucciones.

**NOTA ESPECIAL:** La exposición a las vibraciones mediante el uso prolongado de herramientas manuales a gasolina puede causar daños en los vasos sanguíneos o nervios de los dedos, manos y articulaciones en las personas que presentan una predisposición a trastornos circulatorios o inflamaciones anormales. Por otra parte, el uso prolongado en el clima frío ha sido relacionado con el daño de vasos sanguíneos en personas sanas. En caso de ocurrir síntomas como adormecimiento, dolor, pérdida de fuerza, cambio en el color o textura de la piel o pérdida de sensación en los dedos, manos o articulaciones, abandone el uso de esta herramienta y obtenga atención médica. Un sistema antivibratorio no garantiza la prevención de estos problemas. Los usuarios que operan herramientas motrices en forma regular y continua deben controlar con cuidado su condición física y la condición de esta herramienta.

## CONSERVE ESTAS INSTRUCCIONES

# NORMAS PARA UNA OPERACIÓN SEGURA

## SIMBOLOS DE SEGURIDAD E INTERNACIONALES

Este manual del operador describe los símbolos y figuras de seguridad e internacionales que pueden aparecer en este producto. Lea el manual del operador para obtener información completa acerca de la seguridad, ensamble, operación y mantenimiento y reparación.

### SIMBOLO

### SIGNIFICADO



- **SIMBOLO DE ALERTA DE SEGURIDAD**

Indica peligro, advertencia o precaución. Puede ser utilizado junto con otros símbolos o figuras.



- **ADVERTENCIA - LEA EL MANUAL DEL OPERADOR**

Lea el manual del operador y siga todas las advertencias e instrucciones de seguridad. De no hacerlo, el operador y/o los espectadores pueden sufrir graves lesiones.



- **USE PROTECCION OCULAR Y AUDITIVA**

**ADVERTENCIA :** Los objetos arrojados por la unidad y el ruido fuerte pueden causar graves lesiones oculares y pérdida auditiva. Utilice protección ocular que cumpla con las normas ANSI Z87.1 y protección auditiva cuando opere esta unidad. Use una careta completa cuando la necesite.



- **COMBUSTIBLE SIN PLOMO**

Use siempre combustible limpio, nuevo y sin plomo.



- **INDICADOR DE ACEITE**

Consulte el manual del operador para obtener información acerca del tipo correcto de aceite.



- **LOS OBJETOS DESPEDIDOS Y LA CUCHILLA ROTATIVA PUEDEN CAUSAR GRAVES LESIONES**

**ADVERTENCIA:** Manténgase alejado de la salida del soplador. Nunca dirija el soplador hacia usted mismo ni hacia los demás. Los objetos pueden salir despedidos del soplador. No opere esta unidad sin los accesorios y protecciones adecuados en su lugar.

### SIMBOLO

### SIGNIFICADO



- **CONTROL DE ENCENDIDO Y APAGADO**

ENCENDIDO /ARRANQUE /MARCHA



- **CONTROL DE ENCENDIDO Y APAGADO**

APAGADO o PARADO



- **ADVERTENCIA DE SUPERFICIE CALIENTE**

No toque un silenciador ni un cilindro caliente. Puede quemarse. Estas partes se calientan mucho con el uso. Luego de apagarse permanecen calientes durante un corto tiempo.



- **LAS SOPLADORAS-CUCHILLAS GIRATORIAS DEL ROTOR PUEDEN CAUSAR LESIONES GRAVES**

**ADVERTENCIA:** Pare el motor y permita que el rotor se detenga antes de instalar o cambiar tubos o la bolsa, o antes de limpiar o hacerle cualquier mantenimiento.



- **CONTROL DEL REGULADOR**

Indica la velocidad "ALTA" o "MAS RAPIDA"



- **CONTROL DEL REGULADOR**

Indica la velocidad "MINIMA" "BAJA" o "MAS BAJA"



- **MANTENGA ALEJADOS A LOS ESPECTADORES**

**ADVERTENCIA :** Mantenga a todos los espectadores, en especial a niños y animales domésticos a por lo menos 50 pies (15 m) del área de corte.

# NORMAS PARA UNA OPERACIÓN SEGURA

## CONOZCA SU UNIDAD

### APLICACIÓN

Como soplador:

- Limpieza de jardines, cocheras, entradas de automóviles, pórticos, patios, alrededor de paredes, cercos, etc.

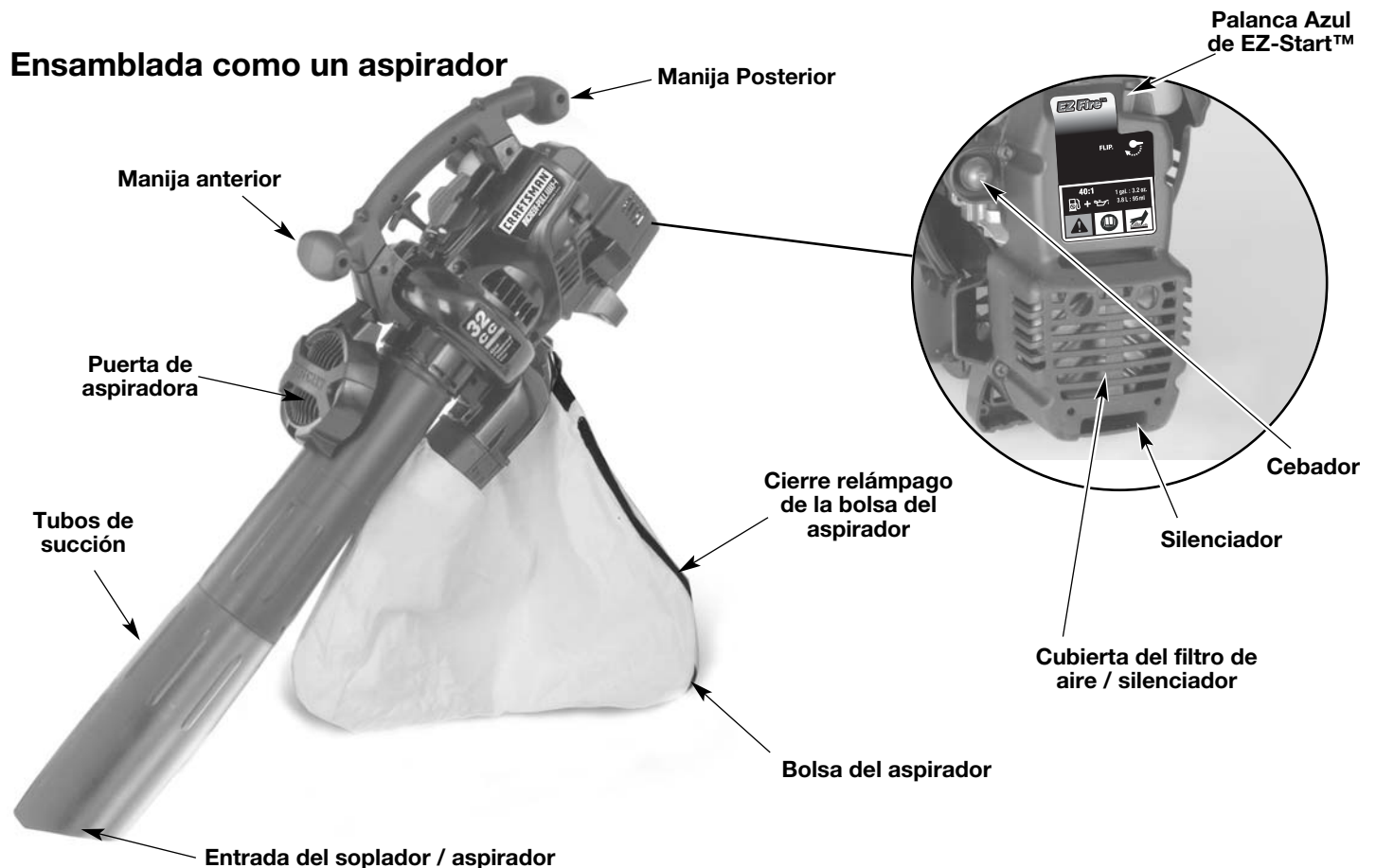
Como aspirador:

- Recoger hojas, escombros livianos, etc.



### Ensamblada como un soplador

### Ensamblada como un aspirador



# INSTRUCCIONES DE ENSAMBLAJE

## ENSAMBLE DE LA UNIDAD COMO SOPLADOR

### Ensamble del tubo del soplador

	<b>ADVERTENCIA:</b> Para evitar graves lesiones personales, apague el motor y espere que el propulsor se detenga antes de conectar o retirar los tubos.
---	---

	<b>ADVERTENCIA:</b> Para evitar graves lesiones personales y el daño de la unidad, el tubo del soplador debe estar instalado mientras opere esta unidad como un soplador.
---	---

**NOTA:** Si la unidad estaba ensamblada como una unidad de aspiración, retire todas las partes del aspirador y guárdelas en un lugar seguro para su uso futuro.

### Instalación

- Instale el tubo del soplador sobre la salida del soplador y empuje hasta que ambas orejetas se enganchen en su lugar (Fig. 1).

### Remoción

- Retire el tubo del soplador presionando ambas orejetas al mismo tiempo y tirando del tubo del soplador hacia afuera (Fig. 1).

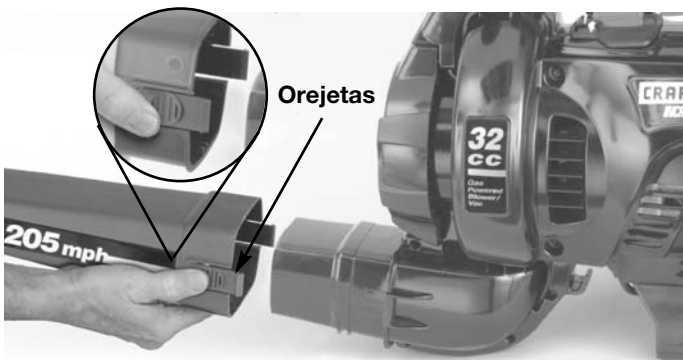


Fig. 1


## MONTAJE DEL ADAPTADOR DE LIMPIEZA DE CANAL


Para usar el conjunto de accesorio de limpieza de canal, debe instalar el adaptador de limpieza de canal (no incluido). Empuje el adaptador para que entre en la salida del soplador hasta que ambas lengüetas queden trabadas en su lugar (Fig. 1). Para más información, consulte el manual del Conjunto de Accesorio de Canal.

## ENSAMBLE DE LA UNIDAD COMO ASPIRADOR

Para armar la unidad como una aspiradora, comience quitándole el tubo del soplador. Consulte la sección anterior.

### Ensamble del tubo del aspirador

	<b>ADVERTENCIA:</b> Para evitar graves lesiones personales, apague el motor y espere que el propulsor se detenga antes de conectar o retirar tubos.
---	---

	<b>ADVERTENCIA:</b> Para evitar graves lesiones personales y el daño de la unidad, instale siempre los tubos del aspirador, la bolsa del aspirador y verifique que el cierre relámpago de la bolsa del aspirador esté completamente cerrado cuando opere esta unidad como aspirador.
---	--

**NOTA:** Si la unidad estaba ensamblada como soplador, retire todas las partes del soplador y guárdelas en un lugar seguro para su uso futuro.

### Instalación

1. Alinee la flecha del tubo de succión inferior con la flecha del tubo de succión superior (Fig. 2).
2. Empuje el tubo de succión inferior dentro del tubo superior, sujetándolo firmemente con ambas manos. Gire el tubo de succión inferior hacia su derecha hasta que encaje en el punto de detención y se asegure. (El punto del tubo inferior se alinea con el punto del tubo superior cuando estén ensamblados correctamente).

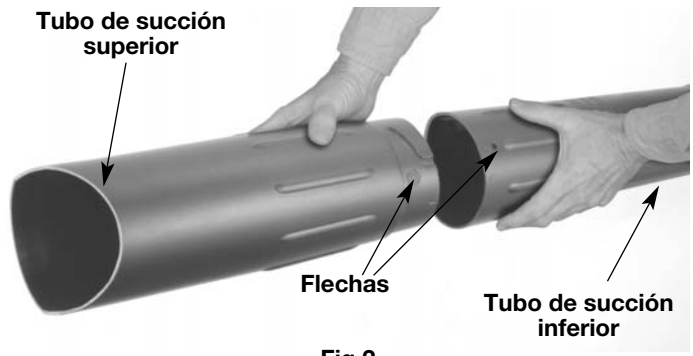


Fig. 2

3. Voltee la unidad de modo que quede erecta en la tapa del silenciador. La parte delantera de la unidad y la puerta de la aspiradora deben darle el frente a usted (Fig. 3).



# INSTRUCCIONES DE ENSAMBLAJE

4. Inserte un destornillador de cabeza plana en la ranura en el extremo inferior de la puerta de la aspiradora. Establezca contacto con la abrazadera de cierre de la puerta de aspiradora y empuje hacia adentro y arriba (Fig. 3). Después tire de la puerta de la aspiradora y manténgala abierta.

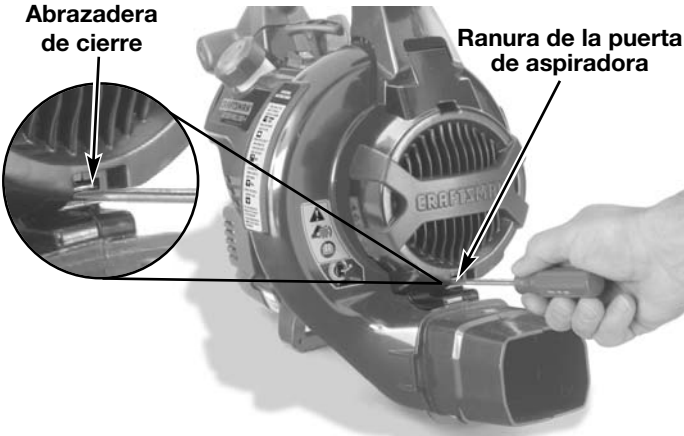


Fig. 3

5. Mientras mantiene abierta la puerta de la aspiradora, localice el tubo de la aspiradora armado (armado en el Paso 2). Ponga el tubo de modo que el área plana esté de frente a la puerta de la aspiradora. Las ranuras en el costado del tubo se alinearán con las pequeñas lengüetas en la admisión del impulsor (Fig. 4). Desde el exterior, alinee la pequeña flecha en el tubo de aspiradora con el punto que está en la admisión del impulsor.
6. Empuje el tubo de aspiradora con firmeza y agárrelo con ambas manos. Gire el tubo en sentido horario tanto como sea posible hasta que encaje en el retén y trabé. Cuando está debidamente armado, el punto del tubo de aspiradora se alinearán con el punto de la admisión del impulsor.

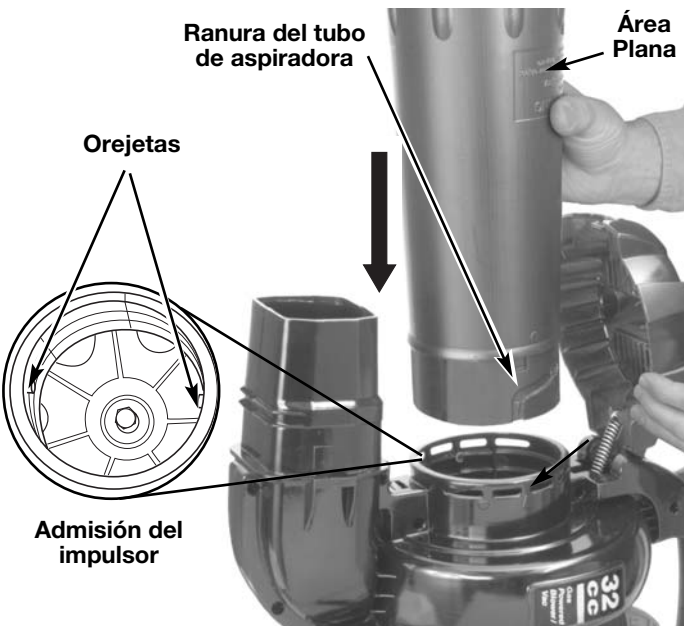


Fig. 4

## Instalación la bolsa del aspirador

7. Instale el tubo de la bolsa del aspirador sobre la salida del soplador y empuje hasta que las orejetas de la base se enganchan en su lugar (Fig. 5).
8. Enganche la bolsa de la aspiradora al gancho de la bolsa de aspiradora situado en la parte inferior de la unidad.

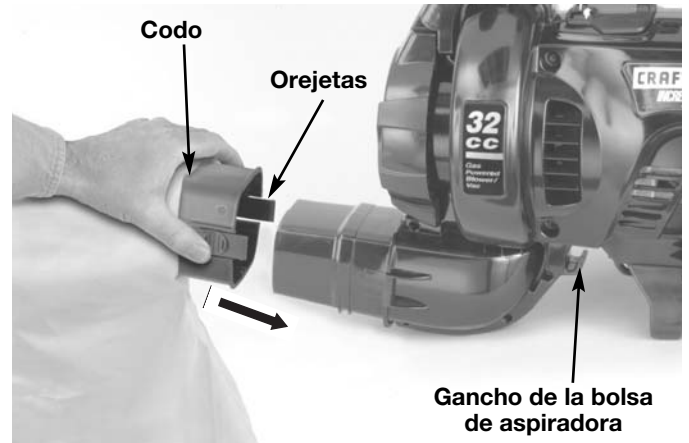


Fig. 5

## Remoción

1. Desenganche la bolsa.
2. Saque la bolsa del aspirador presionando ambas orejetas en el codo de la bolsa del aspirador al mismo tiempo y tirando hacia afuera del soplador (Fig. 5).
3. Instale el tubo del soplador para armar la unidad como un soplador.
4. Cerciórese de que la puerta de aspiradora esté cerrada con seguridad.



**ADVERTENCIA:** Nunca opere la unidad en la configuración de soplador sin que la puerta de la aspiradora esté fija y cerrada con pestillo.



# INSTRUCCIONES DE ENSAMBLAJE

## INSTALACION DEL ARNES (Opcional)



**ADVERTENCIA:** Para evitar graves lesiones personales, use siempre el arnés del hombro cuando utilice la cuchilla de corte.

La correa de hombro es un accesorio opcional.

1. Pase la correa por el centro de la hebilla.
2. Pase la correa sobre la barra transversal y hacia abajo por la ranura de la hebilla (Fig. 6).

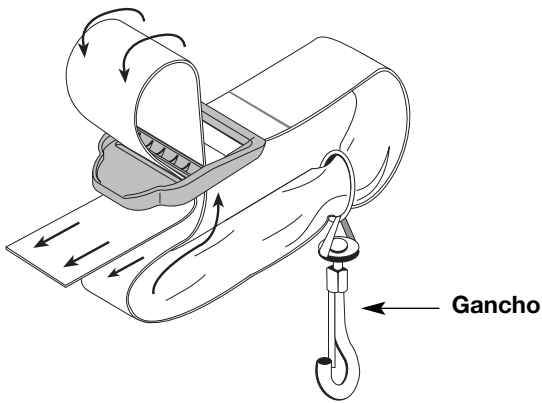


Fig. 6

3. Encaje la abrazadera en los herrajes de soporte en la parte anterior o posterior de la manija. Abróchela a la parte anterior de la manija al usar la unidad como un soplador, y abróchela a la parte posterior de la manija al usar la unidad como una aspiradora (Fig. 7).

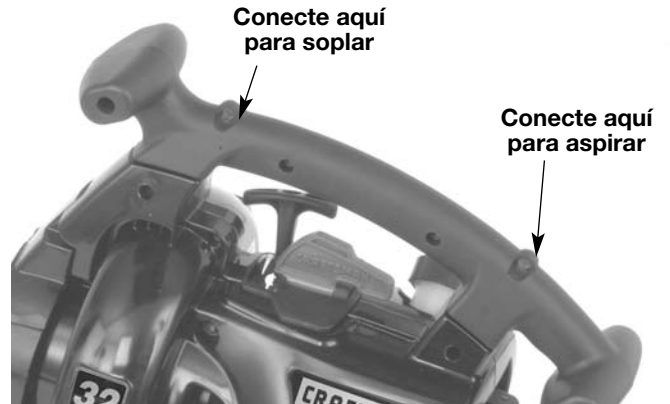


Fig. 7

4. Ajuste la longitud a la medida del operador. Tire de la lengüeta para alargarla, tire de la correa para acortarla (Fig. 8).

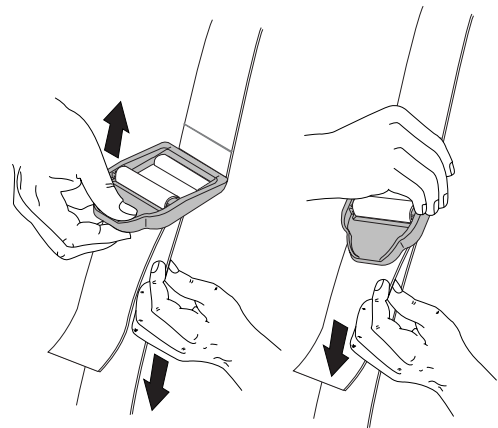


Fig. 8

# INFORMACION DEL ACEITE Y DEL COMBUSTIBLE

## INSTRUCCIONES PARA MEZCLAR EL ACEITE Y EL COMBUSTIBLE

El combustible viejo o mal mezclado son los motivos principales del mal funcionamiento de la unidad. Asegúrese de usar combustible nuevo, limpio y sin plomo. Siga las instrucciones en detalle para mezclar correctamente el aceite y el combustible.

### Definición de los combustibles de mezcla

Los combustibles actuales con frecuencia son una mezcla de gasolina y oxigenantes como por ejemplo etanol, metanol o MTBE (éter). El combustible mezclado con alcohol absorbe agua. Una cantidad tan pequeña como el 1% de agua en el combustible puede causar la separación del combustible y el aceite. Forma ácidos cuando está almacenado. Cuando use combustible mezclado con alcohol, use combustible nuevo (de menos de 60 días).

### Uso de combustibles de mezcla


Si usted opta por usar un combustible de mezcla o si su uso es inevitable, tome las precauciones recomendadas.

- Use siempre una mezcla fresca de combustible según lo indica su manual del operador.
- Agite siempre la mezcla de combustible antes de cargarlo en la unidad.
- Drene el tanque y haga funcionar el motor en seco antes de guardar la unidad.

### Uso de aditivos en el combustible



La botella de aceite de 2 ciclos que vino con su unidad contiene un aditivo en el combustible que ayudará a inhibir la corrosión y a reducir la formación de depósitos de goma. Se recomienda que use sólo el aceite de 2 ciclos con esta unidad.

Si es inevitable, use un buen aceite de 2 ciclos elaborado para motores enfriados por aire junto con un aditivo para el combustible como por ejemplo el estabilizador de gasolina STA-BIL® o similar. Agregue 23 mL (0,8 onzas) de aditivo de combustible por galón de combustible de acuerdo con las instrucciones del envase. NUNCA agregue aditivos directamente en el tanque de combustible de la unidad.


	<b>PRECAUCION:</b> Para que el motor funcione correctamente y con la mayor fiabilidad, preste mucha atención a las instrucciones de mezcla de aceite y combustible del envase de aceite de 2 ciclos. El uso de combustible mezclado en forma incorrecta puede dañar seriamente el motor.
---	--


Mezcle bien la proporción correcta de aceite para motor de 2 ciclos y gasolina sin plomo en una lata de combustible por separado. Use una proporción de 40:1 de combustible y aceite. No los mezcle directamente en el tanque de combustible de la unidad. Consulte las proporciones específicas de mezcla de gasolina y aceite en la tabla siguiente.


**NOTA:** 3,8 litros (un galón) de gasolina sin plomo mezclada con una botella de 95 mL (3,2 onzas) de aceite de 2 ciclos es una proporción de 40:1 de combustible y aceite.

	+	
<b>GASOLINA SIN PLOMO</b>		<b>ACEITE DE 2 CICLOS</b>
<b>3,8 LITROS (1 GALON de EE.UU.)</b>		<b>95 mL (3,2 ONZAS FLUIDAS)</b>
<b>1 LITRO</b>		<b>25 mL</b>

**PROPORCION DE LA MEZCLA = 40 : 1**

	<b>ADVERTENCIA:</b> La gasolina es muy inflamable. Los gases pueden explotar si se encienden. Apague siempre el motor y espere que se enfríe antes de cargar el tanque de combustible. No fume mientras llena el tanque. Mantenga las chispas y las llamas lejos del área.
---	--

	<b>ADVERTENCIA:</b> Saque la tapa del combustible lentamente para evitar lesionarse con el rociado del combustible. No opere nunca la unidad sin la tapa del combustible firmemente colocada en su lugar.
---	---

	<b>ADVERTENCIA:</b> Cargue el combustible en un área exterior limpia y bien ventilada. Limpie de inmediato todo combustible que se haya derramado. Evite crear una fuente de encendido con el combustible derramado. No arranque el motor hasta que se hayan evaporado los gases del combustible.
---	---

**NOTA:** Elimine la mezcla vieja de aceite y combustible de acuerdo con los reglamentos federales, estatales y locales.

# INSTRUCCIONES DE ARRANQUE Y APAGADO



**ADVERTENCIA:** Use esta unidad sólo en un área exterior bien ventilada. Los gases de escape de monóxido de carbono pueden ser letales en un área cerrada.



**ADVERTENCIA:** Evite los arranques accidentales. Esté en posición de arranque cuando hale la cuerda (Fig. 11 y 12).

Tampoco ponga la unidad sobre ninguna superficie excepto sobre una superficie limpia y sólida, mientras se pone en marcha. Los desechos tales pueden ser absorbidos por la toma de aire y ser lanzados por la abertura de descarga, causándole daños a la unidad, propiedad o causándole lesiones graves a los espectadores o al operador.

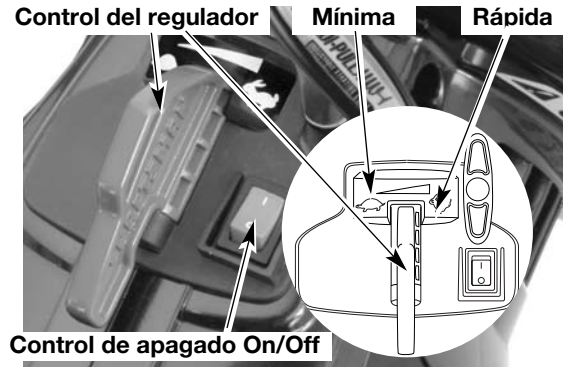


Fig. 9

## INSTRUCCIONES DE ARRANQUE

1. Mezcle la gasolina con el aceite. Llene el tanque de combustible con la mezcla de combustible / aceite. Vea las *Instrucciones para Mezcla de Aceite y Combustible*.



**ADVERTENCIA:** Siempre quite la bolsa de recolección antes de reabastecer la unidad con combustible. La bolsa se puede convertir en un peligro de incendio cuando se satura de combustible.

**NOTA:** No hay necesidad de encender la unidad. El Control de Parada Encendido/Apagado (On/Off) está en la posición Encendido (ON) (I), en todo momento.

2. Oprima completamente el cebador y suéltelo 10 veces. Hágalo lentamente. Se deberá ver un poco de **combustible en el cebador** y en las tuberías de alimentación de combustible. Si no puede ver el combustible en el cebador, oprímalo y suéltelo tantas veces como sea necesario hasta que vea combustible en el mismo.
3. Ponga la unidad en la posición de arranque (Fig. 11 o Fig. 12). Coloque el control del regulador en la posición de mínima (☛) (Fig. 9).
4. **Empuje la Palanca azul de EZ-Start™ hacia la primera bombilla** hasta que haga un clic y quede trabada en su lugar (Fig. 10).
5. Hale el cordón de arranque con un **movimiento controlado y uniforme** hasta que el motor trate de arrancar. Repita hasta que el motor arranque.

**NOTA:** La unidad usa Spring Assist Starting™, lo cual reduce considerablemente el esfuerzo requerido para arrancar el motor. Debe halar el cordón de arranque lo suficiente para oír que el motor trata de arrancar. No es necesario halar el cordón con energía: no hay fuerte resistencia al halar. Tenga en cuenta que este método de arranque es muy diferente (y mucho más fácil) del que usted pudiera estar acostumbrado a usar.

6. Cuando el motor arranque, coloque el control del regulador en la posición de **RÁPIDA** (☛) y deje que el motor se caliente durante 15 a 30 segundos. La **Palanca azul de EZ-Start™ se desenganchará automáticamente** al apretar el control del regulador.

**SI...** El motor no arranca, regrese al paso 2.

**NOTA:** Si tiene dificultad al arrancar la unidad o está operando a temperaturas extremas (por debajo de 4° C (40° F), o por encima de 32° C (90° F), consulte la sección de *Resolución de problemas*.

## INTRUCCIONES DE APAGADO

1. Coloque el control del regulador en posición de mínima (☛). Deje enfriar el motor en mínima.
2. Coloque el control de encendido y apagado en posición de APAGADO (O).

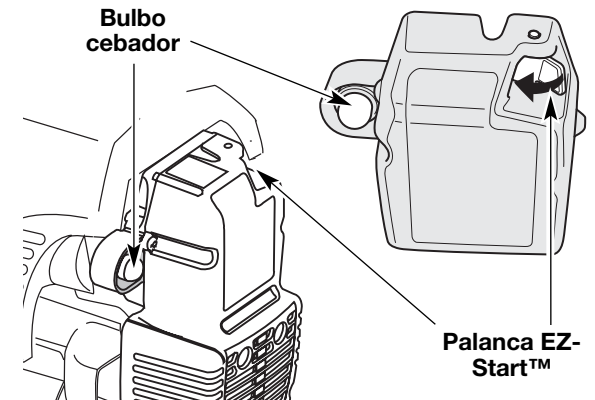


Fig. 10

## Posición de Arranque del Soplador

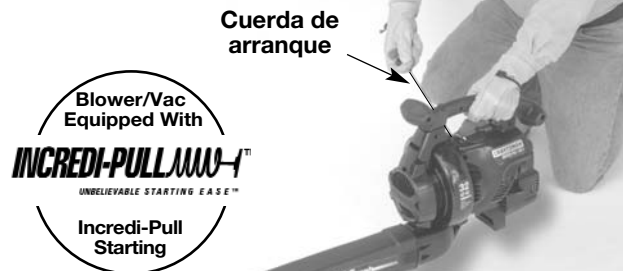


Fig. 11

## Posición de Arranque de la Aspiradora



Fig. 12

# INSTRUCCIONES DE OPERACIÓN

## SOSTENIMIENTO DE LA SOPLADORA/ASPIRADORA

Antes de operar esta unidad, párese en la posición de operación. Verifique lo siguiente:

- El operador está vestido con la ropa apropiada tal como botas, gafas de protección, protección auditiva, guantes, pantalones largos y camisa de manga larga.



**ADVERTENCIA:** Para evitar lesiones personales graves, póngase gafas de seguridad en todo momento cuando maneje esta unidad. Póngase una máscara o máscara para polvo en sitios que sean polvorientos.

- Si las condiciones son polvorientas, el operador lleva puesta una máscara.
- La unidad se encuentra en buen estado de funcionamiento.
- Los tubos y protectores están puestos y asegurados en su lugar.



**ADVERTENCIA:** Dependiendo del modelo, asegúrese que los tubos de soplado o de succión y la bolsa de recolección estén en su lugar antes de operar la unidad, para evitar causarse lesiones personales graves o causárselas a otras personas, u ocasionarle daños a la unidad.

## CONSEJOS ÚTILES SOBRE LA OPERACIÓN

- Asegúrese que la unidad no apunte hacia desechos sueltos o personas antes de ponerla en marcha.
- Compruebe que la unidad se encuentre en buen estado de funcionamiento. Verifique que los tubos y protectores estén puestos y asegurados en su lugar.
- Se recomienda sostener la unidad con ambas manos cuando maneje la sopladora a la altura de la cintura o en ángulos incómodos.
- Se requiere el uso de protección auditiva para reducir el riesgo de pérdida auditiva asociada con los niveles de sonido.
- Opere el equipo solamente durante horas razonables — no muy temprano en las mañanas ni muy tarde en las noches, cuando la gente se pueda molestar. Acate las horas detalladas en las ordenanzas locales. La recomendación usual es de 9:00 am a 5:00 pm, de lunes a sábado.
- Limite el número de equipos que se usen simultáneamente, para reducir los niveles de ruido.
- Opere las sopladoras motorizadas a la menor velocidad posible, para hacer el trabajo y reducir los niveles de ruido.
- Verifique el estado del equipo antes del funcionamiento, especialmente el tubo de escape, tomas de aire y filtros de aire.
- Use rastrillos y escobas para esparcir los desechos antes de soplarlos.
- Remoje ligeramente las superficies o use un aditamento para rociar cuando haya agua disponible y se encuentre bajo condiciones polvorientas.
- Conserve agua mediante el uso de sopladoras motorizadas en vez de usar mangueras para muchas de las aplicaciones de prados y ajardinado, incluyendo

áreas tales como canales, mallas, patios, parrillas, pórticos y jardines.

- Tenga cuidado con los niños, animales domésticos, ventanas abiertas y automóviles recién lavados, y sople los desechos en forma segura.
- Use la extensión completa de la boquilla sopladora de manera que el chorro de aire salga cerca al suelo.
- Limpie después de usar las sopladoras y otros equipos. Deposite los desechos en recipientes para la basura.

## PROCEDIMIENTO DE OPERACIÓN PARA LA SOPLADORA

- 1 Use la sopladora para árboles, arbustos, macizos de flores y zonas de limpieza difícil (Fig. 13).
2. Use la unidad alrededor de edificios y para otras limpiezas normales (Fig. 13).
3. Use la sopladora para paredes, salientes, cercas y mallas (Fig. 14).

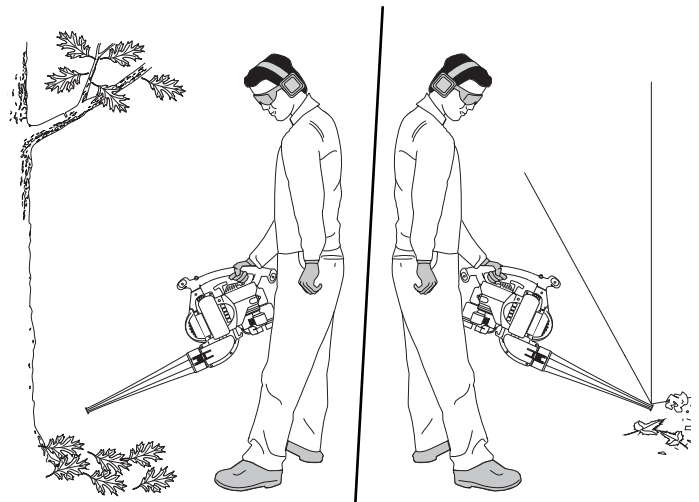


Fig. 13



Fig. 14



# INSTRUCCIONES DE OPERACIÓN

## OPERACION COMO ASPIRADOR



**WARNING:** To prevent serious personal injury or damage to the unit, always install vacuum tubes, vacuum bag and make sure the vacuum bag is completely zipped closed when operating this unit as a vacuum.

Antes de operar la unidad, verifique lo siguiente:

- El operador viste ropa adecuada, como botas, lentes o gafas de protección, protección para los oídos y audición, guantes, pantalones largos y camisa de manga larga.
- Si el trabajo levanta polvo, se utiliza una máscara para polvo o una máscara facial.
- La unidad está en buenas condiciones de funcionamiento. Los tubos de aspiración y la bolsa del aspirador están colocados en su lugar y asegurados.
- El arnés de la bolsa del aspirador está colocado en su lugar y bien ajustado.

Use la unidad para aspirar escombros chicos, hojas, papel, etc.

Sostenga el aspirador, inclinando ligeramente el tubo de aspiración, y use un movimiento de barrido para recoger el escombros chico (Fig. 15). El escombros fluirá dentro de la bolsa del aspirador. Los objetos como las hojas pequeñas y las ramas pequeñas serán trituradas a medida que pasan a través del bastidor del ventilador, permitiendo que la bolsa del aspirador cargue más escombros.

Cuando la bolsa está llena, la aspiración disminuirá en forma notable. Apague la unidad y espere que el propulsor se detenga antes de abrir el cierre relámpago de la bolsa. Abra el cierre relámpago de la bolsa y vacíe su contenido antes de continuar. Lea *Vaciado de la Bolsa del Aspirador*.



**ADVERTENCIA:** Para evitar graves lesiones personales, nunca abra el cierre relámpago de la bolsa sin detener primero la unidad.



**ADVERTENCIA:** Como aspirador, la unidad está diseñada para recoger material seco como hojas, césped, ramas pequeñas y trocitos de papel. Para evitar graves lesiones personales, no intente aspirar residuos húmedos ni agua estancada, ya que esto puede causar el daño del Soplador / Aspirador. Para evitar graves daños en el propulsor, no aspire metal, vidrios rotos, etc.



**ADVERTENCIA:** Evite situaciones que puedan causar que la bolsa del aspirador se prenda fuego. No opere la unidad cerca de una llama. No aspire cenizas calientes de hogares, fosos de parrillas, pilas de maleza, etc. No aspire cigarrillos ni cigarrillos desechados a menos que las cenizas estén completamente frías.



**ADVERTENCIA:** Cuando retire los tubos superior e inferior del aspirador, verifique que la puerta del aspirador esté cerrada a presión antes de usar la unidad, para evitar dañar el propulsor.

### Vaciado de la bolsa del aspirador

1. Proteja sus ojos y use una máscara contra el polvo, abra el cierre relámpago de la bolsa del aspirador y vaciar el contenido en una bolsa o recipiente de basura.



**ADVERTENCIA:** Para evitar graves lesiones personales, apague la unidad y espere que el propulsor se detenga antes de abrir la puerta del aspirador o de instalar o retirar la bolsa del aspirador.

2. Dé vuelta la bolsa hacia fuera luego del vaciado inicial y agite con fuerza para eliminar el polvo y el escombros.
3. Cierre el cierre relámpago y vuelva a instalar la bolsa del aspirador.




Fig. 15

# INSTRUCCIONES DE MANTENIMIENTO Y REPARACIÓN

## PROGRAMA DE MANTENIMIENTO

Estos procedimientos requeridos para el mantenimiento deben ser realizados con la frecuencia indicada en la tabla. Deben ser incluidos como parte de toda puesta a punto de cada temporada.

**NOTA:** Algunos procedimientos de mantenimiento podrían requerir herramientas o habilidades especiales. Si no está seguro de estos procedimientos, lleve su unidad a Sears o a otra agencia de servicio calificada. Llame al 1-800-4-MY-HOME®.



**ADVERTENCIA:** Para evitar lesiones personales graves, nunca realice mantenimiento ni reparaciones con la unidad funcionando. Realice siempre el mantenimiento y las reparaciones con la unidad fría. Desconecte el cable de la bujía de encendido para cerciorarse de que la unidad no arrancará.

**NOTA:** El mantenimiento, el reemplazo o la reparación de los dispositivos y del sistema de control de emisiones puede ser realizado por Sears o por otra agencia de servicio calificada. Para más información, llame al 1-800-4-MY-HOME®.


A fin de garantizar el rendimiento máximo de su motor, pudiera ser necesaria la inspección de la lumbrera de escape del motor después de 50 horas de operación. Si usted nota pérdida de RPM, un rendimiento insuficiente o una falta general de aceleración, pudiera requerirse este servicio. Si usted considera que su motor necesita esta inspección, consulte con Sears u otra agencia de servicio calificada. Para más información, llame al 1-800-4-MY-HOME®. NO trate de realizar este proceso usted mismo ya que pudiera dañar el motor como resultado de contaminantes presentes en el proceso de limpieza de la lumbrera.

FRECUENCIA	MANTENIMIENTO REQUERIDO	CONSULTE
Antes de arrancar el motor	Llene el tanque de combustible con la mezcla correcta de aceite y combustible	Página 34
Cada 10 horass	Limpie y vuelva a aceitar el filtro de aire	Página 38
Cada 25 horass	Examine el parachispas y límpielo Inspeccione la condición y la separación de la bujía de encendido	Página 39 Página 40
Cada 50 horas	Inspeccione si la lumbrera de escape y la rejilla del parachispas están tupidas u obstruidas para garantizar los niveles máximos de rendimiento	Página 39

## MANTENIMIENTO DEL FILTRO DE AIRE

### Remoción de la cubierta del silenciador/filtro de aire

1. Saque los cuatro (4) tornillos que sostienen la cubierta del silenciador / filtro de aire (Fig. 16). Use un destornillador de broca Torx N° T20.



**ADVERTENCIA:** Para evitar lesiones personales graves, apague siempre su recortador y espere que se enfríe antes de limpiarlo o realizar todo tipo de mantenimiento.



Fig. 16

2. Quite la tapa del motor al empujarla hacia arriba y halarla hacia atrás. No la fuerce.

### Limpieza del Filtro de Aire

Limpie y vuelva a aceitar el filtro de aire cada 10 horas de operación. Es una de las partes cuyo mantenimiento es importante. No mantener debidamente su filtro de aire puede resultar en funcionamiento inadecuado o puede causar daño permanente a su motor.

1. Saque la cubierta del silenciador / filtro de aire. Lea la sección de *Remoción de la cubierta del silenciador / filtro de aire*.
2. Gire la tapa y ubique el filtro de aire adentro. Saque el filtro de aire de adentro de la tapa del filtro de aire / silenciador (Fig. 17).



Fig. 17

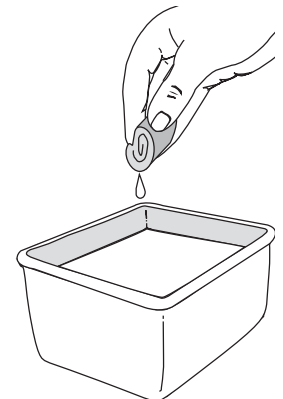


Fig. 18

# INSTRUCCIONES DE MANTENIMIENTO Y REPARACIÓN

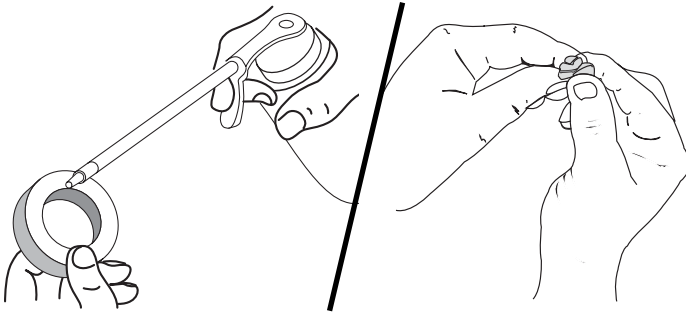


Fig. 19

Fig. 20

3. Lave el filtro con agua y detergente (Fig. 18). Enjuague bien el filtro. Escorra el exceso de agua. Déjelo secar por completo.
4. Aplique suficiente aceite limpio SAE 30 para recubrir ligeramente el filtro (Fig. 19).
5. Apriete el filtro para esparcir y retirar el exceso de aceite (Fig. 20).
6. Cambie el filtro de aire dentro de la tapa del filtro de aire / silenciador (Fig. 17).

**NOTA:** Si opera la unidad sin el filtro de aire y el ensamble de la cubierta del silenciador / filtro de aire, su garantía quedará ANULADA.

## Reinstalación de la cubierta del silenciado / filtro de aire

1. Coloque la cubierta del silenciador / filtro de aire sobre la parte posterior del carburador y del silenciador. Alinee los orificios de los tornillos.
2. Inserte los cuatro (4) tornillos en los orificios de la cubierta del silenciador / filtro de aire (Fig. 16) y ajústelos. **No los ajuste demasiado.**

**NOTA:** Cerciórese de que la Palanca roja EZ-Fire™ esté en posición alejada del bulbo cebador.

## MANTENIMIENTO DEL PARACHISPAS

**NOTA:** El flujo de las emisiones puede ser en una dirección solamente: APARTÁNDOSE del motor. Preste mucha atención a cómo se ensambla el silenciador, de modo que lo pueda volver a armar exactamente como está. El no hacerlo así dañará a la unidad y pudiera causar lesiones personales graves.

1. Quite el filtro de aire / tapa del silenciador. Ver *Remoción de la Tapa del Filtro / Silenciador*.
2. Localice el silenciador, pero no lo quite. Busque los dos (2) tornillos en la parte inferior del silenciador (Fig. 21). Estos dos tornillos unen el conjunto de deflector de escape y la pantalla del parachispas a la parte inferior del silenciador. Quite los dos (2) tornillos usando una llave torx No. 20 o un destornillador plano.
3. Utilizando un pequeño destornillador plano, palanquee con cuidado hacia arriba la pantalla del parachispas del agujero encastrado, fijándose que la parte “levantada” de la pantalla del parachispas quede dentro del agujero encastrado. Retire la pantalla del parachispas del silenciador.

4. Limpie la rejilla del parachispas con un cepillo de cerdas metálicas. Cámbiela si está dañada o si no la puede limpiar completamente.
5. Vuelva a instalar la pantalla del parachispas colocando la parte “levantada” de la pantalla dentro del agujero empotrado del silenciador. Cerciórese de que la pantalla del parachispas quede plana contra el silenciador.
6. Coloque la placa del parachispas encima del parachispas con el lado “levantado” hacia arriba mirando al motor (Fig. 21).
7. Coloque el capó del parachispas encima de la placa del parachispas con el lado “levantado” hacia arriba y la apertura mirando en dirección CONTRARIA al motor (Fig. 21). Asegúrese de que el escape se dirija en dirección CONTRARIA al motor.
8. Vuelva a colocar los dos tornillos que quitó en el Paso 2 y apriételos firmemente.
9. Reinstale la tapa del filtro de aire / silenciador.

	<p><b>ADVERTENCIA:</b> Si el conjunto del deflector de emisiones no se aprieta fijamente se puede caer y causarle daño a la unidad y posibles lesiones personales graves.</p>
--	---

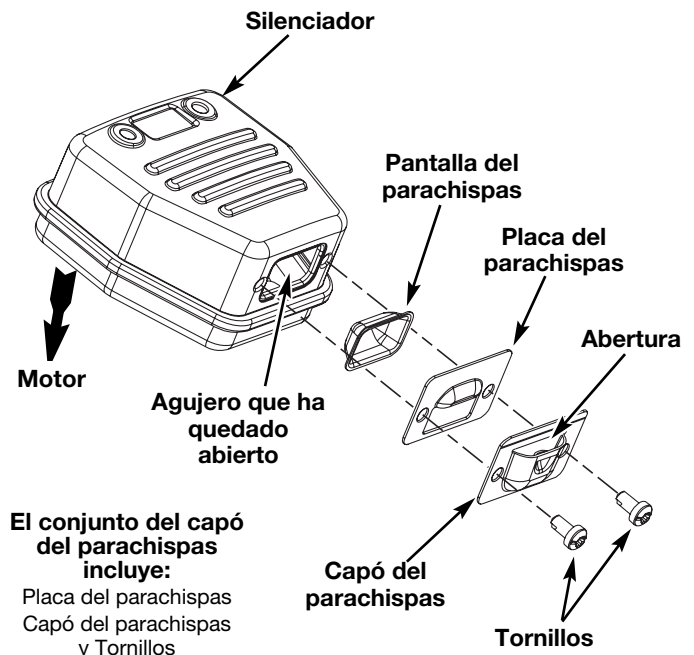


Fig. 21

# INSTRUCCIONES DE MANTENIMIENTO Y REPARACIÓN

## AJUSTE DEL CARBURADOR

La velocidad lenta del motor puede ser ajustada por la cubierta del silenciador / filtro de aire (Fig. 22).

**NOTA:** Los ajustes realizados sin cuidado pueden dañar seriamente su unidad. Los ajustes del carburador deben ser realizados por un proveedor de servicio autorizado. Para más información, llame al 1-800-4-MY-HOME®.

## Controle la mezcla del combustible

Una mezcla incorrecta o vieja de combustible es en general el motivo por el cual la unidad no funciona adecuadamente. Drene y vuelva a llenar el tanque con combustible nuevo y bien mezclado antes de hacer ningún ajuste. Consulte la *Información sobre Aceite y Combustible*.

## Limpie el filtro de aire

La condición del filtro de aire es importante para la operación de la unidad. Un filtro de aire sucio limitará el flujo de aire y cambiará la mezcla de combustible y aire en el carburador. Esto con frecuencia se confunde con un carburador mal ajustado. Verifique la condición del filtro de aire antes de ajustar el tornillo de marcha lenta. Consulte *Mantenimiento del Filtro de Aire*.

## Ajuste del tornillo de marcha lenta



**ADVERTENCIA:** La unidad deberá estar en marcha durante el ajuste de velocidad lenta. Use ropa que lo proteja y cumpla con todas las instrucciones de seguridad para prevenir graves lesiones personales.

Asimismo, no apoye la unidad sobre ninguna superficie excepto un área limpia y dura mientras realiza estos ajustes. Los escombros como grava, arena, polvo, césped, etc. pueden ser absorbidos por la entrada de aire y salir despedidos por la abertura de descarga, dañando la unidad, la propiedad, o causando lesiones graves al operador y a los espectadores.

Si luego de controlar la mezcla de combustible y limpiar el filtro de aire el motor aún no funciona en mínima, ajuste el regulador de velocidad mínima de este modo.

1. Arranque el motor y déjelo funcionar en una velocidad mínima alta durante un minuto para que se caliente.
2. Mueva el control del regulador y deje que el motor funcione en mínima. Si el motor se para, inserte un destornillador pequeño Phillips en el orificio de la cubierta del filtro de aire / silenciador (Fig. 22). Gire el regulador de velocidad mínima hacia dentro en sentido horario 1/8 de vuelta por vez (según sea necesario) hasta que el motor funcione en velocidad mínima en forma continua.
3. Si parece que la unidad está funcionando con una mínima demasiado rápida, gire el regulador de velocidad mínima en sentido antihorario 1/8 de vuelta por vez (según sea necesario), para reducir la velocidad mínima.

El control de la mezcla de combustible, la limpieza del filtro de aire y el ajuste del tornillo de marcha lenta deben resolver la mayoría de los problemas del motor.

De no ser así y si:

- El motor no funciona en mínima
- El motor fluctúa o se para al acelerar
- Existe una pérdida de fuerza motriz

Haga ajustar el carburador por Sears u otra agencia de servicio calificada. Para más información, llame al 1-800-4-MY-HOME®.

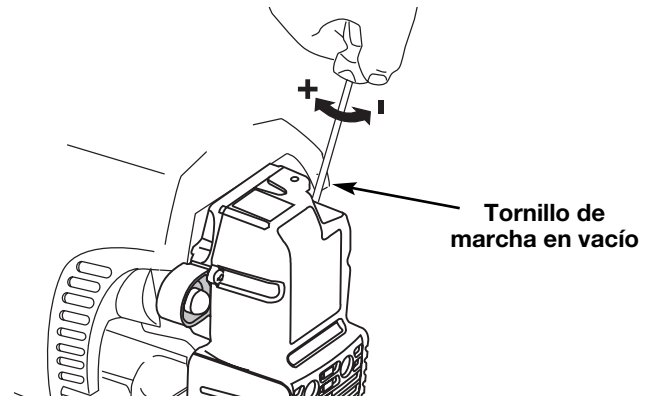


Fig. 22

## CAMBIO DE LA BUJIA DE ENCENDIDO

Use una bujía de encendido Champion RDJ7Y (o similar). La separación correcta es de **0,5 mm (0,020 pulgadas)**. Retire la bujía luego de cada **25 horas** de operación e inspeccione su estado.

1. Apague el motor y espere que se enfríe. Tome el alambre de la bujía con firmeza y sáquelo de la bujía de encendido.
2. Limpie alrededor de la bujía de encendido. Saque la bujía de encendido de la cabeza del cilindro girando una llave de casquillo de 16mm (5/8) de pulgada en sentido antihorario.



**PRECAUCIÓN:** No limpie con chorro de arena, ni raspe ni limpie los electrodos. El motor podría dañarse si penetran pequeñas partículas en el cilindro.

3. Cambie las bujías que estén rajadas, sucias o deterioradas. Fije la separación de aire a **0,5 mm (0,020 pulgadas)** utilizando un calibrador (Fig. 23).
4. Instale una bujía de encendido con la separación correcta en la cabeza del cilindro. Ajuste girando la llave de casquillo de 16 mm (5/8 pulg.) en sentido horario hasta que esté ajustada sin huelgo.

Si usa una llave de torsión, ajuste a:

**12,3-13,5 N•m (110-120 pulg. • libras).**

**No ajuste demasiado.**

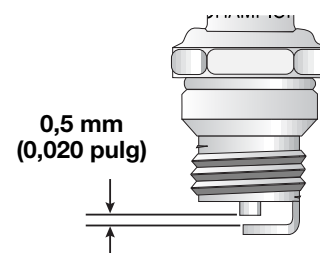


Fig. 23



# INSTRUCCIONES DE MANTENIMIENTO Y REPARACIÓN

## LIMPIEZA



**ADVERTENCIA:** Para evitar graves lesiones personales, apague siempre su unidad y espere que se enfríe antes de limpiarlo o realizar cualquier tipo de mantenimiento.

Use un cepillo pequeño para limpiar la parte exterior de la unidad. No use detergentes fuertes. Los limpiadores domésticos que contienen aceites aromáticos como pino y limón, y con solventes como el queroseno pueden dañar el bastidor de plástico y la manija. Seque toda la humedad con un paño suave.

## LIMPIEZA DE LA BOLSA DEL ASPIRADOR

1. Vacíe la bolsa luego de cada uso para evitar el deterioro y la obstrucción del flujo de aire, lo cual reducirá el rendimiento del aspirador.
2. Proteja sus ojos y use una máscara para el polvo, limpie la bolsa según sea necesario. Dé vuelta la bolsa hacia fuera luego del vaciado inicial y agite con fuerza para eliminar el polvo y los escombros.
3. Lave la bolsa una vez por año o con mayor frecuencia si es necesario:
  - a. Saque la bolsa del aspirador.
  - b. Dé vuelta la bolsa hacia fuera.
  - c. Cuelgue la bolsa.
  - d. Lave bien la bolsa con una manguera.
  - e. Cuelgue la bolsa para que se seque.
  - f. Dé vuelta la bolsa con el lado correcto hacia fuera y vuelva a instalarla.

## DESBROCE DE UN TUBO / PROPULSOR OBSTRUIDO



**ADVERTENCIA:** Para evitar graves lesiones personales, use siempre guantes para protegerse contra las cuchillas del propulsor o contra otros objetos afilados.



**ADVERTENCIA:** Para evitar graves lesiones personales, verifique que la unidad esté apagada antes de limpiarla o realizar cualquier tipo de mantenimiento en ella.

1. Oprima y sostenga el control de apagado On/Off en la posición de apagado (STOP) (O) hasta que el motor se apague por completo (Fig. 10).
2. Desconecte el cable de la bujía de encendido para evitar que la unidad arranque.
3. Quite el tubo del soplador/aspirador y la bolsa del aspirador.
4. Saque con cuidado el material que está obstruyendo el tubo o el propulsor. Inspeccione las cuchillas para verificar que no hayan ocurrido daños. Gire las cuchillas del propulsor a mano para asegurar que haya desbrozado la obstrucción por completo.

5. Vuelva a instalar la bolsa del aspirador y el tubo del soplador / aspirador.
6. Vuelva a conectar el cable de la bujía de encendido.

## ALMACENAMIENTO

- No guarde nunca la unidad con combustible en el tanque donde los vapores puedan llegar a una llama o chispa.
- Espere que el motor se enfríe antes de guardar la unidad.
- Guarde la unidad bajo llave para prevenir el uso por personas no autorizadas y daños.
- Guarde la unidad en un área seca y bien ventilada.
- Guarde la unidad fuera del alcance de los niños.

## ALMACENAMIENTO PROLONGADO

Si planea guardar la unidad durante un largo período de tiempo, siga el siguiente procedimiento para su almacenamiento.

1. Drene todo el combustible del tanque de combustible en un recipiente que contenga la misma mezcla de combustible de 2 ciclos. No use combustible que haya permanecido guardado durante más de 60 días. Deseche la mezcla vieja de combustible y aceite de acuerdo a las regulaciones federales, estatales y locales.
  2. Arranque el motor y déjelo funcionar hasta que se ahogue. Esto asegura que todo el combustible ha sido drenado del carburador.
  3. Espere que el motor se enfríe. Retire la bujía de encendido y coloque alrededor de 30 mL (1 onza) de cualquier aceite para motor de 2 ciclos buena calidad dentro del cilindro. Tire de la cuerda de arranque lentamente para esparcir el aceite. Vuelva a instalar la bujía de encendido.
- NOTA:** Saque la bujía de encendido y drene todo el aceite del cilindro antes de intentar arrancar el recortador después de su almacenamiento.
4. Limpie bien la unidad e inspeccione para ver si existen partes flojas o dañadas. Repare o cambie las partes dañadas y ajuste los tornillos, tuercas o pernos que puedan estar flojos. La unidad está ahora lista para ser guardada.

## TRANSPORTE

- Espere que el motor se enfríe antes de transportar
- Asegure la unidad durante su transporte.
- Drene el combustible de la unidad.
- Ajuste la tapa del combustible antes de transportar.

# RESOLUCIÓN DE PROBLEMAS

## EL MOTOR NO ARRANCA

### CAUSA

La palanca EZ-Fire™ no estaba en la posición correcta  
 El tanque de combustible está vacío  
 La bombilla de cebado no fue oprimida lo suficiente  
  
 El motor está inundado  
 El combustible es viejo o está mal mezclado  
  
 La bujía de encendido está arruinada  
 Parachispas obstruido  
 La temperatura exterior es por debajo de 4° C (40° F)  
 La temperatura exterior es de más de 32° C (90° F)

### ACCIÓN

Mueva la palanca a la posición de arranque  
 Llene el tanque con combustible bien mezclado  
 Oprima la bombilla de cebado total y lentamente de 10 veces hasta que el combustible se vea en la perilla  
 Use el procedimiento de arranque  
 Drene el tanque de gasolina / Agregue mezcla de combustible nueva  
 Cambie o limpie la bujía de encendido  
 Limpie o cambie el parachispas  
 Hale el cordón de arranque hasta un máximo de 10-15 veces  
 Oprima el control del regulador y hale el cordón de arranque

## EL MOTOR NO FUNCIONA EN MARCHA EN VACÍO

### CAUSA

El filtro de aire está obstruido  
 El combustible es viejo o está mal mezclado  
  
 El carburador no está ajustado en forma correcta

### ACCIÓN

Cambie o limpie el filtro de aire  
 Drene el tanque de gasolina / Agregue mezcla de combustible nueva  
 Ajuste según las instrucciones

## EL MOTOR NO ACELERA

### CAUSA

El combustible es viejo o está mal mezclado  
  
 El carburador no está ajustado en forma correcta para hacer un ajuste de carburador  
 El filtro de aire está sucio  
 Parachispas obstruido

### ACCIÓN

Drene el tanque de gasolina / Agregue mezcla de combustible nueva  
 Lleve la unidad a un proveedor de servicio autorizado  
  
 Limpie o cambie el filtro de aire  
 Limpie o cambie el parachispas

## EL MOTOR NO TIENE SUFICIENTE POTENCIA O SE AHOGA AL CORTAR

### CAUSA

El combustible es viejo o está mal mezclado  
  
 El filtro de aire está obstruido  
 El carburador no está ajustado en forma correcta para hacer un ajuste de carburador  
 La bujía de encendido está arruinada  
 Parachispas obstruido

### ACCIÓN

Drene el tanque de gasolina / Agregue mezcla de combustible nueva  
 Limpie o cambie el filtro de aire  
 Lleve la unidad a un proveedor de servicio autorizado  
  
 Cambie o limpie la bujía de encendido  
 Limpie o cambie el parachispas

## LA UNIDAD NO SOPLA O NO ASPIRA

### CAUSA

La bolsa está llena  
 El tubo está obstruido  
  
 El propulsor está obstruido  
 El propulsor está dañado

### ACCIÓN

Vacíe la bolsa, lea *Vaciado de la bolsa del aspirador*  
 Desbroce la obstrucción, lea *Desbroce de un tubo / propulsor obstruido*  
 Desbroce la obstrucción, lea *Desbroce de un tubo / propulsor obstruido*  
 Lleve la unidad a un proveedor de servicio autorizado

**NOTA:** Para reparaciones más allá de los pequeños ajustes recién mencionados, comuníquese con su centro de Piezas y Reparaciones de Sears más cercano (1-800-4-MY-HOME®) u otra agencia de servicio calificada, para un ajuste.

# ESPECIFICACIONES

## MOTOR\*

Tipo de motor.....	Enfriado por aire, de 2 ciclos
Desplazamiento.....	31 cc
R.P.M. de operación (Aspiradora) .....	6.800 + r.p.m.
R.P.M. de operación (Sopladora) .....	7.200 + r.p.m.
R.P.M. de velocidad mínima .....	3.200 - 4.400 r.p.m.
Tipo de encendido .....	Electrónico- MAX FIRE IGNITION™
Control de apagado On/Off.....	Interruptor oscilante
Separación de la bujía de encendido.....	0,5 mm (0,020 pulg.)
Lubricación.....	Mezcla de combustible y aceite
Proporción de combustible y aceite .....	40:1
Carburador .....	Diafragma, multiposicional
Arranque.....	Rebobinado automático
Silenciador .....	Desviado con protección
Capacidad del tanque de combustible .....	384 mL (13 onzas)

## SOPLADOR / ASPIRADOR\*

Control del regulador .....	Palanca para el dedo
Velocidad del soplador .....	hasta 330 km/h (205 m/h)
Salida de aire del soplador.....	hasta 12 m³/min (425 cfm)
Proporción de triturado .....	hasta 10:1
Capacidad de la bolsa del aspirador.....	52,8 Litros (1,5 fanegas)
Masa (sin combustible, con el tubo del soplador) .....	5,2 kg (11,4 libras)

## ACCESORIOS

.....Adaptador de Limpieza de Canal

\*Toda las especificaciones contenidas en este manual se basan en la información más reciente disponible en el momento de impresión del manual. Nos reservamos el derecho de hacer cambios en cualquier momento sin aviso previo.

# Declaración de Garantía de Control de Emisiones de la EPA / California

## Sus Derechos y Obligaciones de la Garantía

La Junta de Recursos del Aire de California, la Agencia de Protección Ambiental y Sears se complacen en explicar la garantía del sistema de control de emisiones para su pequeño motor para uso fuera de la carretera del 2005 y posterior. Los nuevos motores pequeños para uso fuera de la carretera tienen que diseñarse, construirse y equiparse para cumplir las normas contra smog más estrictas. Sears tiene que garantizar el sistema de control de emisiones de su pequeño motor para uso fuera de la carretera durante los períodos de tiempo que aparecen a continuación siempre que no haya habido abuso, negligencia o mantenimiento indebido de su motor para uso fuera de la carretera.

El sistema de control de emisiones puede incluir piezas tales como el carburador o sistema de inyección de combustible, el sistema de encendido y el convertidor catalítico. También puede incluir mangueras, correas, conectores y otros componentes relacionados con el control de emisiones.

Cuando exista una condición justificable, Sears arreglará su pequeño motor todo-terreno sin costo alguno, incluyendo el diagnóstico, piezas y mano de obra.

**Los pequeños motores todo-terreno del año 2005 y años posteriores están garantizados por dos años. Si su motor tiene alguna pieza defectuosa que esté relacionada con las emisiones, Sears la arreglará o cambiará.**

### Responsabilidades del Propietario para la Garantía

- Como propietario del pequeño motor todo-terreno, usted tiene la responsabilidad de la ejecución del mantenimiento requerido que se describe en el manual del operador. Sears le recomienda que conserve todos los recibos que cubran el mantenimiento de su pequeño motor todo-terreno, mas Sears no puede negarle la garantía por carecer de ellos o por omitir la ejecución del mantenimiento programado.
- No obstante, como propietario del pequeño motor todo-terreno, usted debe tener en cuenta que Sears puede negarle la cobertura de garantía si su pequeño motor todo-terreno o alguna parte falla debido al abuso, negligencia, mantenimiento inapropiado o modificaciones no aprobadas.
- Usted tiene la presponsabilidad de llevar el pequeño motor todo-terreno a un centro de servicio autorizado Sears tan pronto como exista un problema. Las reparaciones de garantía se deben llevar a cabo dentro de un tiempo razonable, que no exceda los 30 días.

Si tiene alguna pregunta relacionada con los derechos y responsabilidades de su garantía, debe llamar al 1-800-4-MY-HOME®.

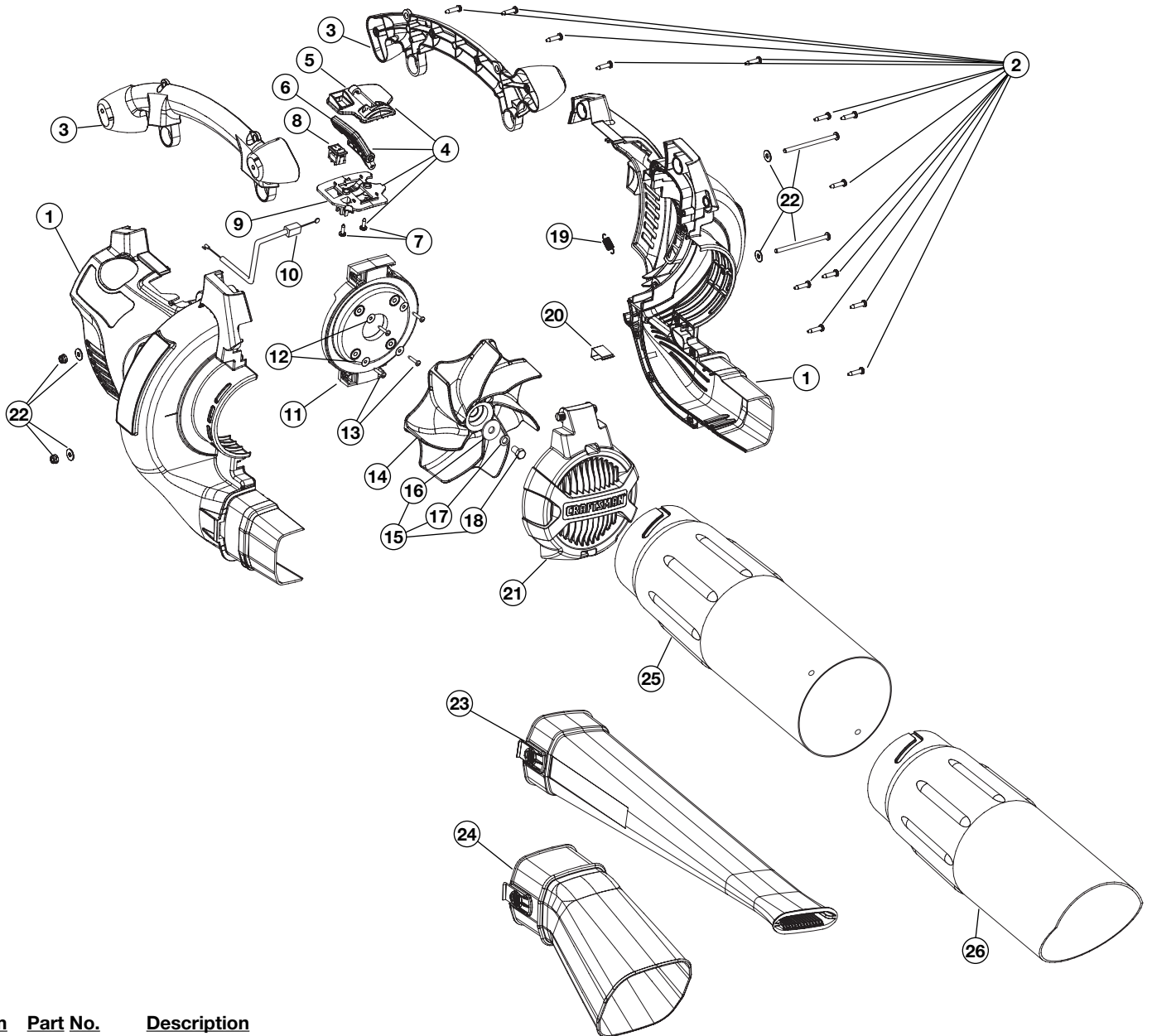
### Cobertura de la Garantía del Fabricante

- El período de garantía empieza en la fecha que el motor o equipo se le entrega al comprador al detalle.
- El fabricante le garantiza al propietario original y a cada comprador posterior que el motor no tiene defectos en cuanto a su material o mano de obra, los cuales causen la falla de una pieza garantizada durante un período de dos años.
- La reparación o sustitución de una pieza garantizada se hará sin costo alguno para el propietario, en un centro de servicio autorizado Sears. Por favor contacte a Sears para informarse sobre el lugar más cercano. 1-800-4-MY-HOME®.
- Cualquier pieza garantizada cuya sustitución no esté programada, como mantenimiento requerido o que únicamente esté programada para una inspección regular para "Arreglar o cambiar según sea necesario", está garantizada durante el período de garantía. Cualquier pieza garantizada cuya sustitución esté programada como mantenimiento requerido, será garantizada durante el período de tiempo hasta el punto de la primera sustitución programada para esa pieza.
- No se le cobrará al propietario por el trabajo de diagnóstico que conduzca a la conclusión de que una pieza garantizada se encuentra defectuosa, si el trabajo de diagnóstico lo hace un centro de servicio autorizado Sears.
- El fabricante es responsable de los daños causados a otros componentes del motor cuando falle una pieza garantizada que aún esté cubierta.
- Las fallas causadas por el abuso, negligencia o el mantenimiento inapropiado no están cubiertas bajo esta garantía.
- La utilización de accesorios o piezas modificadas puede ser la razón para no permitir una reclamación de garantía. El fabricante no es responsable de la cobertura de fallas de piezas garantizadas causadas por el uso de piezas incorporadas o modificadas.
- Para presentar una reclamación, diríjase a su centro de servicio autorizado Sears cercana. Los servicios de garantía o de reparación se prestarán en todos los centros de servicio autorizado Sears.
- Se puede usar cualquier pieza de sustitución aprobada por el fabricante cuando se haga cualquier mantenimiento de garantía o reparación de piezas relacionadas con las emisiones, y se hará sin costo al propietario. Se usará cualquier pieza que sea equivalente en rendimiento o durabilidad en el mantenimiento o reparación que no estén cubiertos por la garantía, lo cual no reducirá las obligaciones de garantía del fabricante.
- Los siguientes componentes están incluidos en la garantía relacionada con las emisiones del motor, filtro de aire, carburador, cebador, líneas de combustible, toma de combustible, /filtro de combustible, módulo de encendido, bujía y silenciador.



# PARTS LIST

## HOUSING PARTS - MODEL 794970 2-CYCLE GAS MULCHING BLOWER VACUUM



Item	Part No.	Description
1	753-05046	Engine Cover Assm (includes 2)
2	791-181345	Screw
3	753-05047	Handle Assm (includes 2)
4	753-05013	Throttle control Assm (includes 5-9)
5	791-182420	Upper Throttle Control Plate
6	753-05014	Throttle Control Lever
7	791-182423	Screw
8	791-182405	Rocker Switch Assm
9	791-182422	Lower Throttle Control Plate
10	791-00049	Throttle Cable
11	753-04809	Engine Mount Plate (includes 12 & 13)
12	791-182409	Washer
13	753-04755	Screw
14	753-04596	Impeller Blade
15	753-04482	Impeller Hardware (includes 16-18)
16	753-04833	Washer
17	753-04834	Lock Washer
18	791-182414	Bolt

Item	Part No.	Description
19	753-04456	Vacuum Door Spring
20	753-04455	Vacuum Door Lock
21	753-05015	Vacuum Door
22	791-182424	Mounting Plate Hardware
23	753-05016	Blower Tube
24	791-182477	Vacuum Bag Adaptor
25	753-05017	Upper Vacuum Tube
26	791-180467	Lower Vacuum Tube
*	791-612930	Cable Tie
*	753-04458	Vacuum Bag Assm (includes Bag & Cable Tie)
*	791-682075B	Shoulder Strap

\* Items Not Shown

## Repair Protection Agreements

*Congratulations on making a smart purchase.*

Your new Craftsman® product is designed and manufactured for years of dependable operation. But like all products, it may require repair from time to time. That's when having a Repair Protection Agreement can save you money and aggravation.

*Purchase a Repair Protection Agreement now and protect yourself from unexpected hassle and expense.*

Here's what's included in the Agreement:

- ☑ **Expert service** by our 12,000 professional repair specialists
- ☑ **Unlimited service** and no charge for parts and labor on all covered repairs
- ☑ **Product replacement** if your covered product can't be fixed
- ☑ **Discount of 10%** from regular price of service and service-related parts not covered by the agreement; also, 10% off regular price of preventive maintenance check
- ☑ **Fast help by phone** – phone support from a Sears technician on products requiring in-home repair, plus convenient repair scheduling

Once you purchase the Agreement, a simple phone call is all that it takes for you to schedule service. You can call anytime day or night, or schedule a service appointment online.

Sears has over 12,000 professional repair specialists, who have access to over 4.5 million quality parts and accessories. That's the kind of professionalism you can count on to help pro-long the life of your new purchase for years to come. Purchase your Repair Protection Agreement today!

**Some limitations and exclusions apply. For prices and additional information call 1-800-827-6655.**

### Sears Installation Service

For Sears professional installation of home appliances, garage door openers, water heaters, and other major home items, in the U.S.A. call **1-800-4-MY-HOME®**

## Convenios de Cobertura de Gastos para Reparaciones

Felicidades por haber hecho una compra inteligente. Su nuevo producto Craftsman está diseñado y fabricado para que opere de manera confiable durante años. Pero como todos los productos, pudiera necesitar una reparación cada cierto tiempo. Por eso el tener un Convenio de Cobertura de Gastos para Reparaciones puede ahorrarle dinero y disgustos.

*Adquiera un Convenio de Cobertura de Gastos para Reparaciones ahora y protéjase de problemas y gastos inesperados.*

He aquí lo que incluye el Convenio:

- ☑ **Servicio proporcionado** por nuestros 12.000 especialistas expertos en reparaciones profesionales
- ☑ **Servicio ilimitado** sin cargos por piezas ni mano de obra, en todas las reparaciones cubiertas
- ☑ **Reemplazo del producto**, si sus productos cubiertos no pueden arreglarse
- ☑ **Descuento del 10%** del precio regular del servicio y de piezas relacionadas con el servicio no cubiertas por el convenio; además, descuento del 10% del precio regular de los chequeos de mantenimiento preventivo
- ☑ **Ayuda rápida por teléfono:** apoyo telefónico por parte de un técnico de Sears en los productos que requieren reparación en el hogar, además de la programación de la reparación a una hora conveniente

Una vez que usted adquiera el Convenio, basta con una llamada telefónica para programar el servicio. Usted puede llamar a cualquier hora del día o de la noche, o programar por Internet una cita para el servicio.

Sears tiene más de 12.000 especialistas en reparaciones profesionales, que tienen acceso a más de 4,5 millones de piezas y accesorios de calidad. Ese es el tipo de profesionalismo con el que usted puede contar para ayudar a prolongar la vida útil de su nueva adquisición durante años. ¡Adquiera hoy mismo su Convenio de Cobertura de Gastos para Reparaciones!

**Se aplican algunas limitaciones y exclusiones. Para precios e información adicional, llame al 1-800-827-6655.**

### Servicio de Instalación de Sears

Para la instalación por parte de profesionales de Sears de efectos electrodomésticos; abridores de puertas de garaje, calentadores de agua y demás artículos domésticos de mayor cuantía, en los EE.UU., llame al **1-800-4-MY-HOME®**.

# Get it fixed, at your home or ours!

## Your Home

For repair – **in your home** – of **all** major brand appliances, lawn and garden equipment, or heating and cooling systems, **no matter who made it, no matter who sold it!**

For the replacement parts, accessories and owner's manuals that you need to do-it-yourself.  
For Sears professional installation of home appliances and items like garage door openers and water heaters.

**1-800-4-MY-HOME® (1-800-469-4663)**

Call anytime, day or night (U.S.A. and Canada)

[www.sears.com](http://www.sears.com)

[www.sears.ca](http://www.sears.ca)

---

## Our Home

For repair of carry-in items like vacuums, lawn equipment, and electronics, call or go on-line for the location of your nearest **Sears Parts & Repair Center.**

**1-800-488-1222**

Call anytime, day or night (U.S.A. only)

[www.sears.com](http://www.sears.com)

---

To purchase a protection agreement (U.S.A.) or maintenance agreement (Canada) on a product serviced by Sears:

**1-800-827-6655 (U.S.A.)**

**1-800-361-6665 (Canada)**

---

Para pedir servicio de reparación a domicilio, y para ordenar piezas:

1-888-SU-HOGARSM  
(1-888-784-6427)

Au Canada pour service en français:

1-800-LE-FOYER MC  
(1-800-533-6937)  
[www.sears.ca](http://www.sears.ca)

The Sears logo is displayed in a large, stylized font with a swoosh underneath. The letters are bold and black, set against a light gray background.